



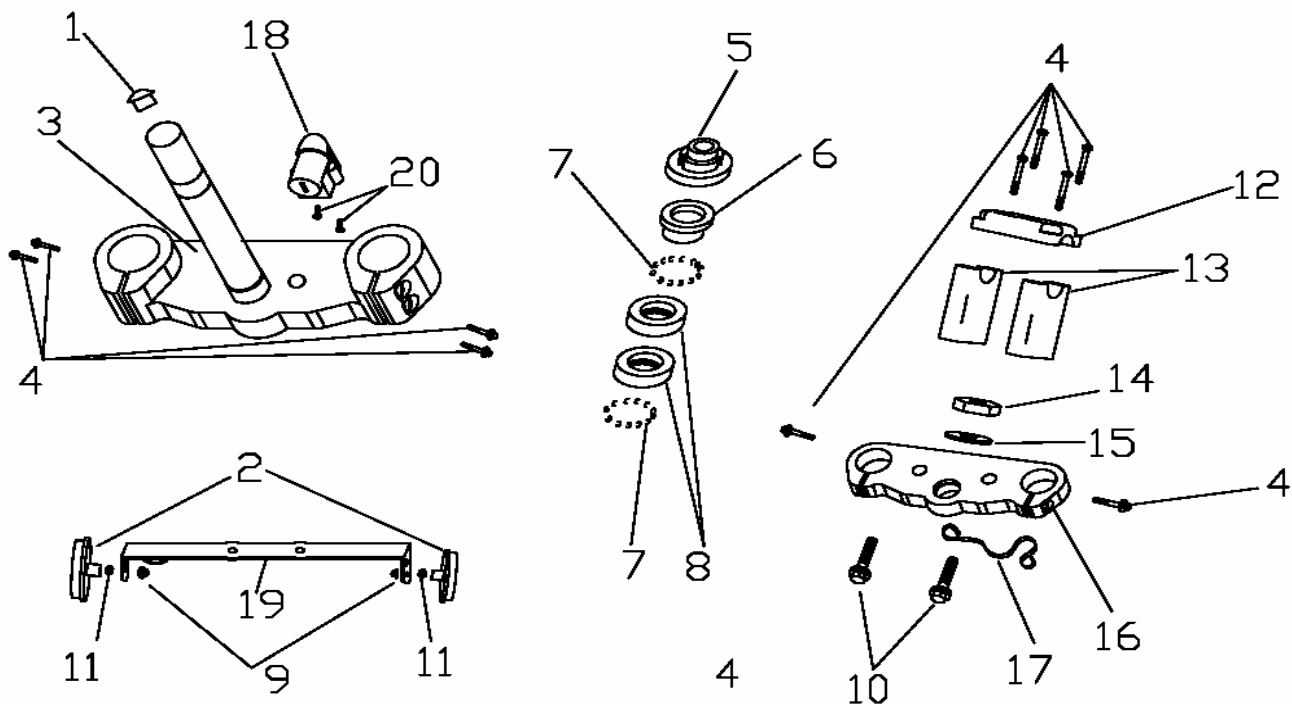
FRAME PARTS CATALOG RIPPER(P)

V. 2005. Nov.

CONTENTS

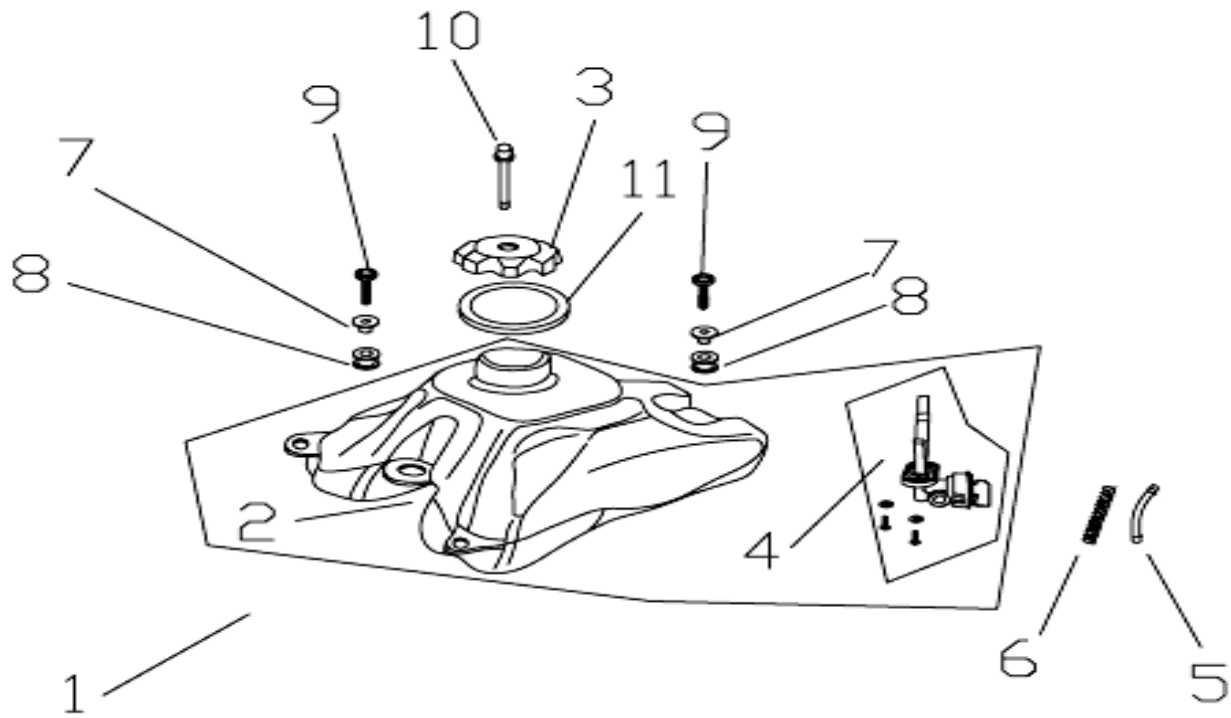
- U01. STEERING STEM ASSY
- U02. FUEL TANK ASSY
- U03. AIR FILTER ASSY
- U04. BATTERY ASSY
- U05. ELECTRICAL UNIT
- U06. REAR WHEEL ASSY
- U07. WIRE CABLE
- U08. MUFFLER ASSY
- U09. FRONT WHEEL ASSY
- U10. REAR BRAKE ASSY
- U11. FRONT WHEEL ASSY
- U12. FRONT/REAR SHOCK ABSORBER
- U13. SKIP PLATE, ENGINE/FOOTREST BRACKET
- U14. SWING ARM ASSY
- U15. SEAT/COMPLETE SET OF COVER
- U16. FRAME ASSY
- U17. HANDLEBAR ASSY
- U18. COMPLETE SET OF DECALS
- U19. COMPLETE SET OF TOOLS
- U20. FRONT LIGHT
- U21. REAR LIGHT

U01. STEERING STEM ASSY



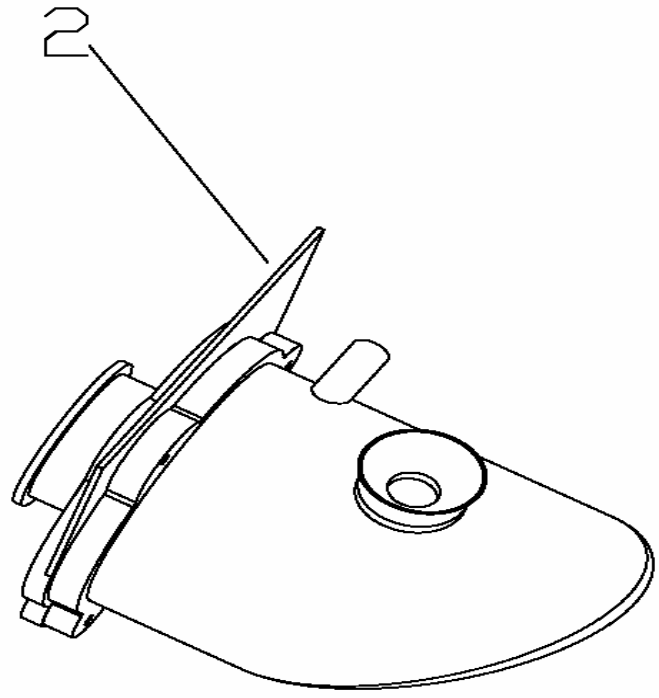
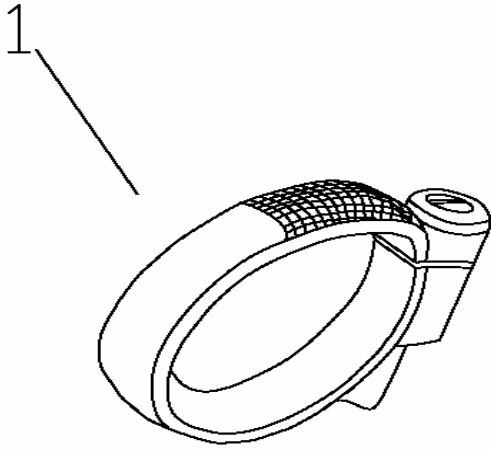
DIA.N	PART NO.	DESCRIPTION	Q'TY
U01-01	01Q001200	Rubber Plug	1
U01-02	01L001100	Amber Side Reflector	2
U01-03	51410-98000	Steering Stem	1
U01-04	GB/70-08025-N	Bolt,Hex-Head (M8*25)	10
U01-05	01B000401	Nut, Steering Stem	1
U01-06	01B000406	Upper Cone Race	1
U01-07	01B000408	Upper Ball	40
U01-08	01B000404	Ball Race	2
U01-09	GB/6177-M6-LB	Flange Nut(M6)	2
U01-10	GB/9074.17-12040-LB	Bolt(M12*40*1.25)	2
U01-11	GB/6170-M6-LB	Bolt, Hex-Head(M6)	2
U01-12	01B000301	Upper Clamp, Handlebar	1
U01-13	01B000302	Lower Clamp, Handlebar (70MM)	2
U01-14	01B000402	Adjusting Nut ,Steering Stem	1
U01-15	01B000403	Wash, Adjusting Nut	1
U01-16	51311-98000	Upper Crown, Socket (SUP)	1
U01-17	01H000300	Upper Clamp, Front Brake	1
U01-18	37130-98000	Frame Head Lock	1
U01-19	01A010200	Bracket, Front Reflector	1
U01-20	02121-05100-901	cruciform screw	2

U02. FUEL TANK ASSY



DIA.N	PART NO.	DESCRIPTION	Q'TY
U02-01	01J000000	Fuel Tank Assy.	1
U02-02	01J000100	Fuel Tank	1
U02-03	01J000400	Cap, Fuel Tank	1
U02-04	01J000300	Cock, Fuel Tank	1
U02-05	01Q000300(50cc) 09431-052C0(125cc)	Fuel Hose & Clip	1
U02-06	01Q000301	Spring, Fuel Hose	1
U02-07	01R000700	Sleeved Washer	2
U02-08	01Q000400	Grummet ,Fuel Tank	2
U02-09	01R001700	Bolt ,Hex- Head(M8*25)	2
U02-10	01J000402	Breather Tube, Fuel Tank Cap	1
U02-11	01J000401	Seal Washer, Fuel Tank Cap	1

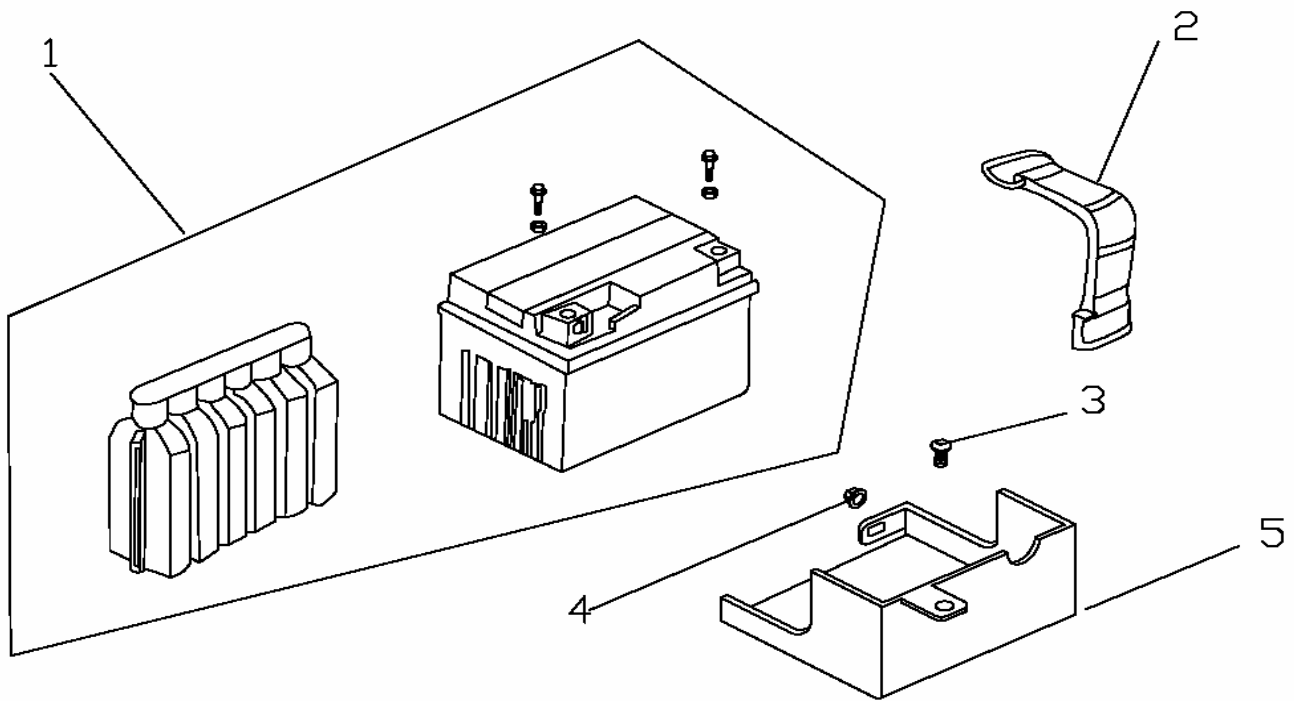
U03. AIR FILTER ASSY



DIA.N	PART NO.	DESCRIPTION	Q'TY
U03-01	01P000100	Clamp ,Air Filter	1
U03-02	13410-98000(50cc) 13410-85100(125cc)	Air Filter Assy.	1



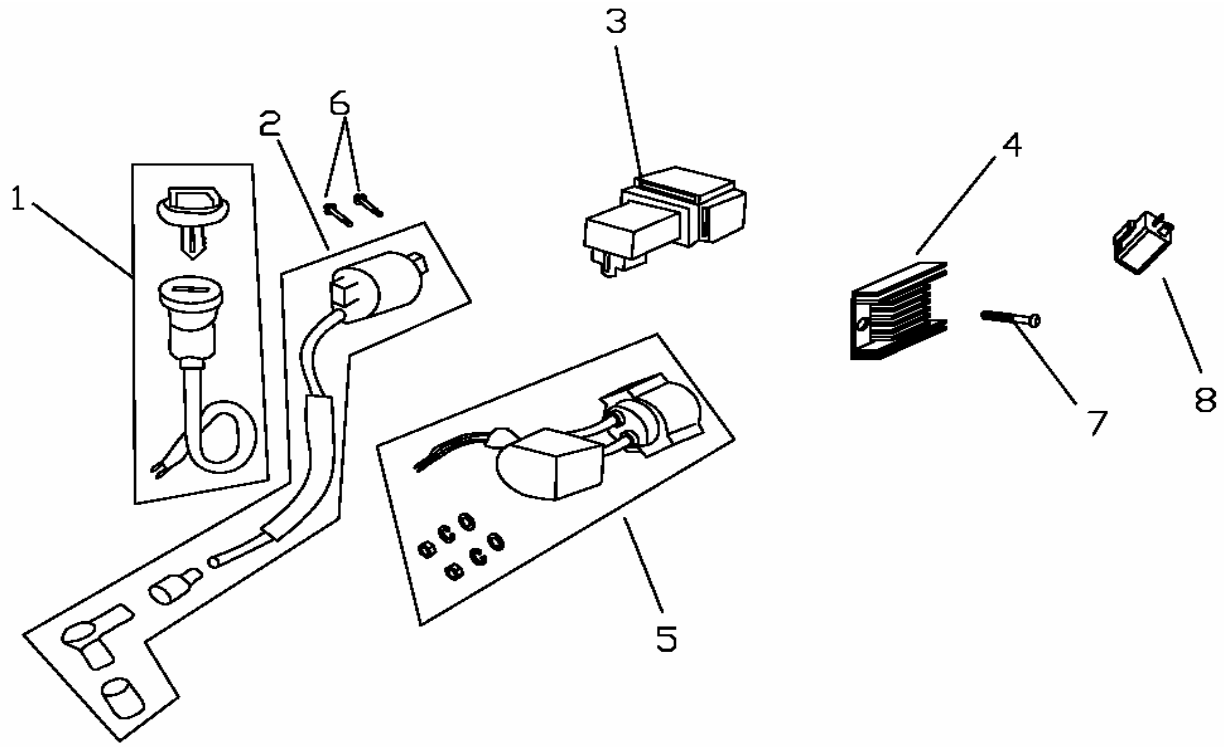
U04. BATTERY ASSY



DIA.N	PART NO.	DESCRIPTION	Q'TY
U04-01	01T000100	Battery	1
U04-02	01Q001000	Band ,Battery	1
U04-03	01R001300	Bolt,Hex-Head(M6*10)	1
U04-04	GB/6177-M6-LB	Flange Nut(M6)	1
U04-05	01L000100	Box, Battery	1

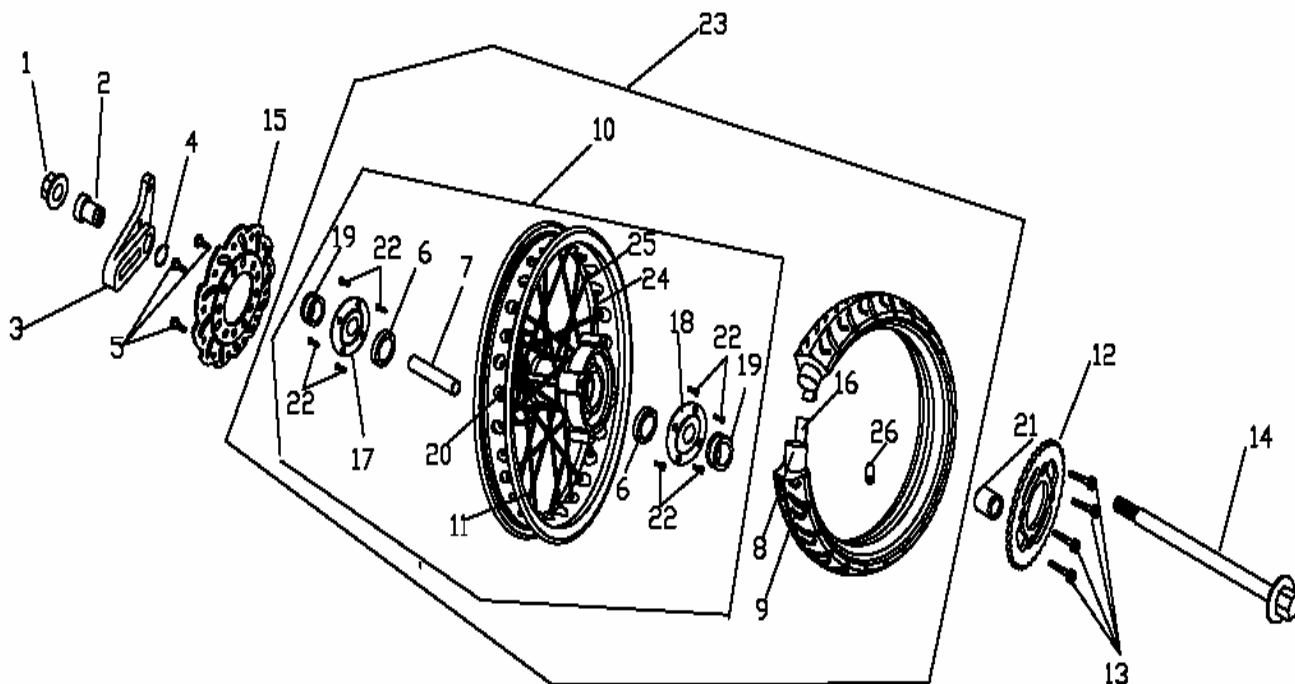
TUMMP®

U05. ELECTRICAL UNIT



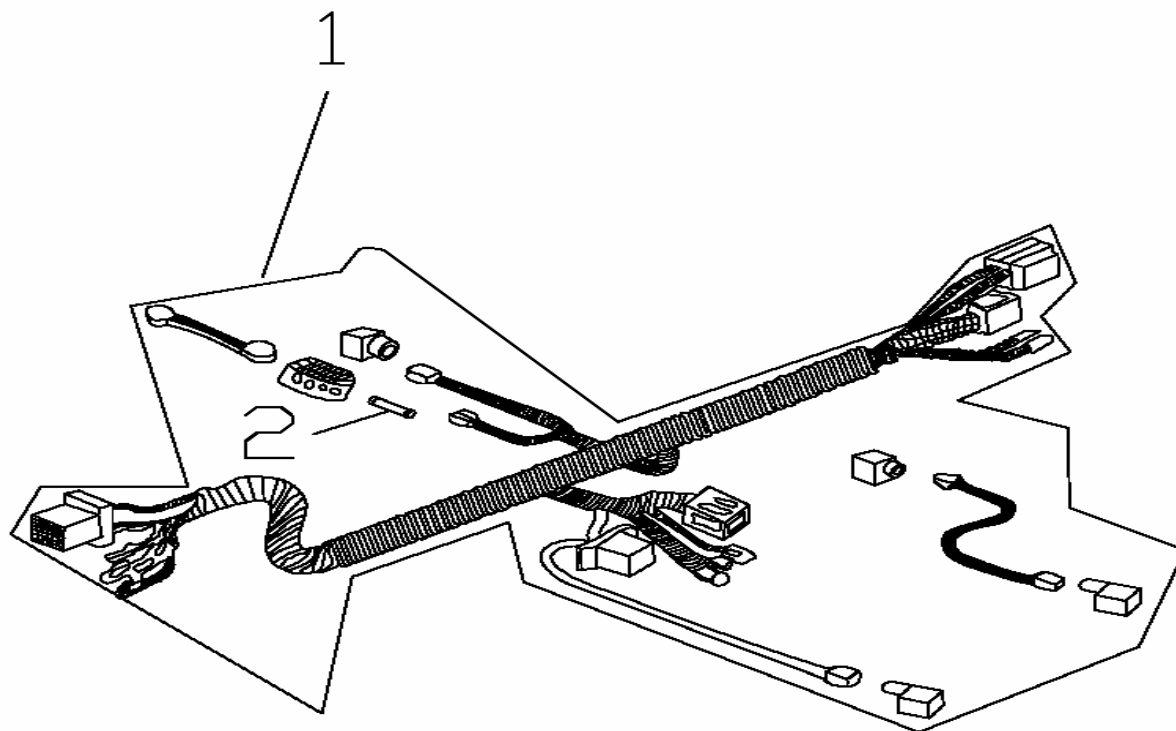
DIA.N	PART NO.	DESCRIPTION	Q'TY
U05-01	37130-98000	Key Set ,Ignition	1
U05-02	32210-98000	Ignition Coil	1
U05-03	01N000600	C.D.I.Unit	1
U05-04	01N000500	Rectifier	1
U05-05	01N000700	Relay ,Starter	1
U05-06	GB/70-05020-N	Bolt, Hex-Head (M5*20)	2
U05-07	GB/70-06020-N	Bolt,Hex-Head (M6*20)	1
U05-08	38610-98000	Flash Unit	1

U06. REAR WHEEL ASSY



DIA.N	PART NO.	DESCRIPTION	Q'TY
U06-01	GB/6187-M12*1.25-LB	Flange Nut(M12*1.25)	1
U06-02	01R000306	Right Spacer, Rear Wheel Axle	1
U06-03	01I000300	Stay, Rear Brake	1
U06-04	01I000301	Stay Circlip,Rear Brake	1
U06-05	01R001100	Bolt ,Hex-Head(M8*20)	3
U06-06	01G000102	Bearing(6301) ,Rear Wheel	2
U06-07	01R000308	Spacer, Wheel Axle Assy	1
U06-08	01F000605	Inner Tube(480*12")	1
U06-09	01F000604	Outer Tire(120/70-12")	1
U06-10	01G001201	Rear Wheel Rim Assy	1
U06-11	01F000602	Rear Wheel Rim	1
U06-12	64511-98000-001(50cc) 01G000500(125cc)	Sprocket Driven 43T(50cc) Sprocket Driven 39T(125cc)	1
U06-13	01R001900	Bolt ,Hex-Head(M8*25)	4
U06-14	01R000300	Rear Wheel Axle(M12*220)	1
U06-15	01I000200	Rear Brake Disk	1
U06-16	01F000204	Rear Band 12"	1
U06-17	01G000106	Press Plate, Wheel Hub	1
U06-18	01G000105	Press Plate,Sproket Driven	1
U06-19	01G000801	Oil Seal(22*32*5)	2
U06-20	01F000111	Nut, Spoke	28
U06-21	01R000307	Left Spacer,Rear Wheel Axle	1
U06-22	GB/819-04016-C	Bolt, Cross (M4*16)	8
U06-23	01G001100-BK	Rear Wheel Assy	1
U06-24	01F000120	Spoke A 12"	14
U06-25	01F000121	Spoke B 12"	14
U06-26	01F000108	Dust-Protecting Cap	1

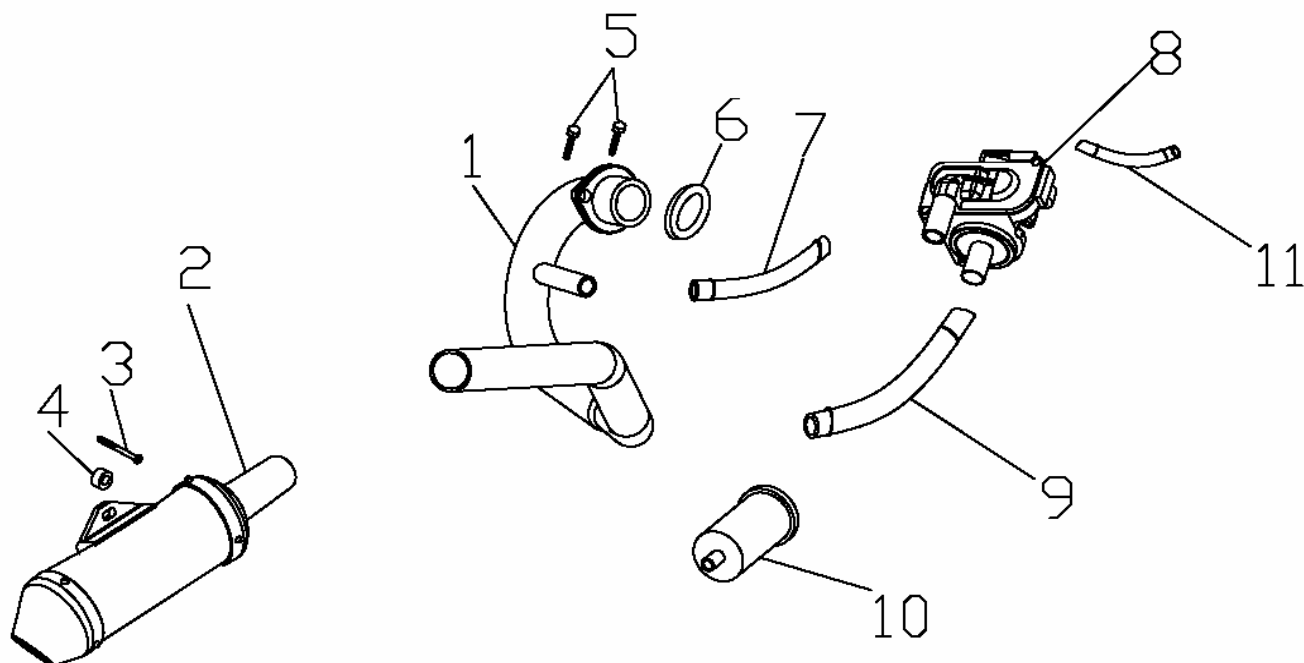
U07. WIRE CABLE



DIA.N	PART NO.	DESCRIPTION	Q'TY
U07-01	36610-98000	Wire Cable	1
U07-02	09620-15000	Fuse	1

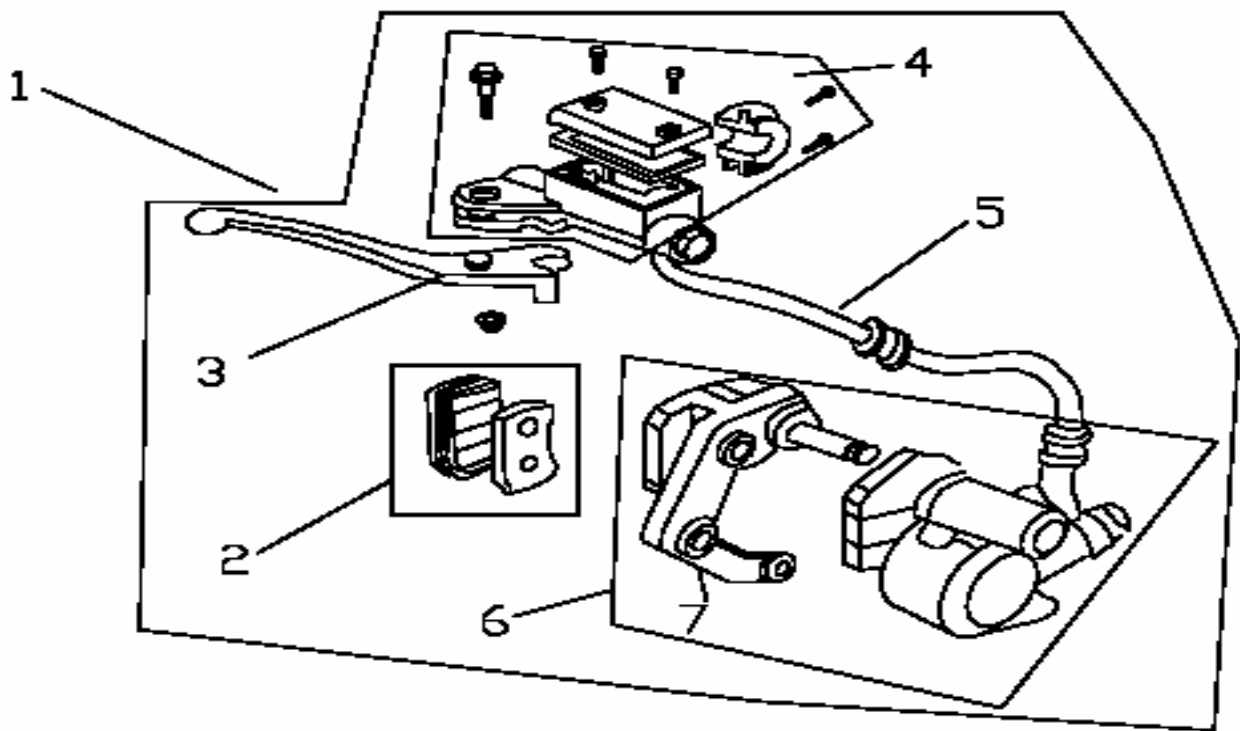
TRUMP[®]

U08. MUFFLER ASSY



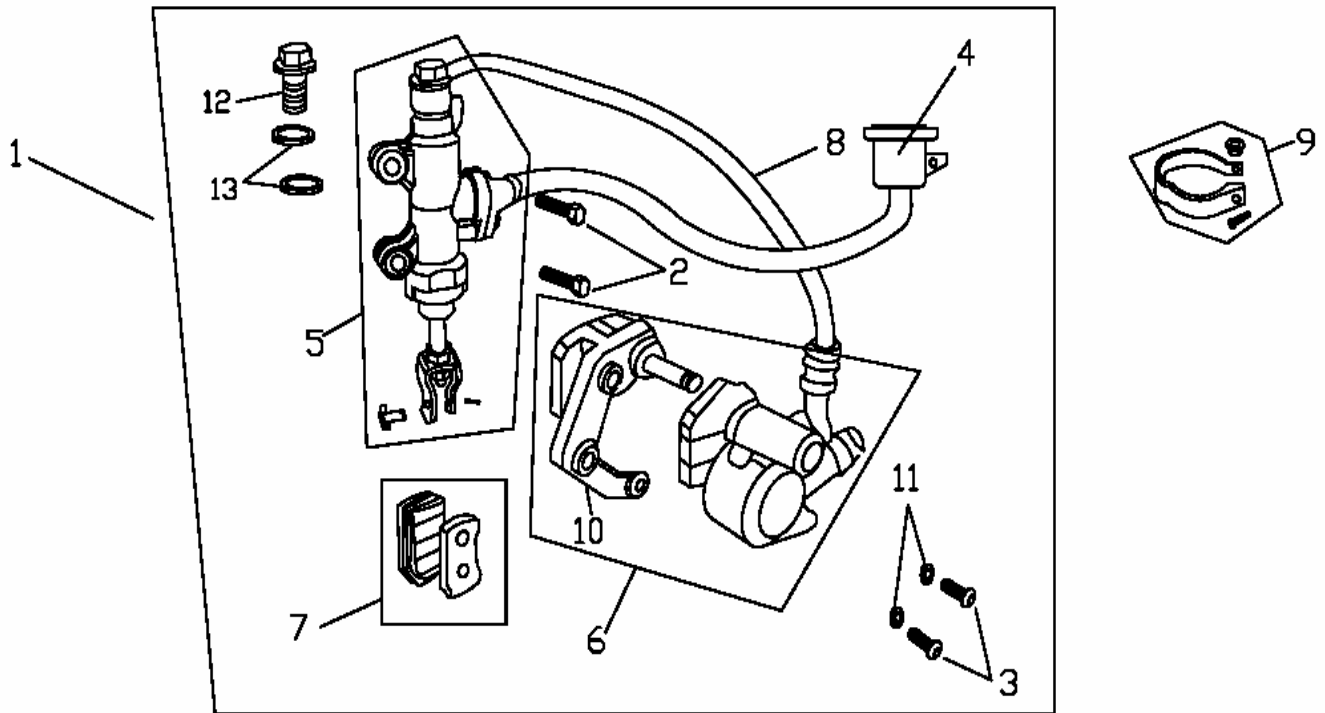
DIA.N	PART NO.	DESCRIPTION	Q'TY
U08-01	14100-98000-203	Exhaust Pipe Assy.	1
U08-02	14200-98000-203	Exhaust Muffler Assy.	1
U08-03	02131-08500-906	Bolt,Hex-Head (M8*50)	1
U08-04	01R000500	Inner Spacer,Roller Chain	1
U08-05	GB/70-06020-N	Bolt ,Hex-head(M6*20)	2
U08-06	01M000400	Seal Washer, Muffler	1
U08-07	09431-102C0	Refractory Pipe,Compensating Air Valve	1
U08-08	14410-98000	Compensating Air Valve, Single Direction	1
U08-09	09431-102E0	Pipe In, Compensating Air Valve	1
U08-10	14420-98000	Compensating Air Filter	1
U08-11	09431-041N0	Compensating Air Pipe	1

U09. FRONT BRAKE ASSY



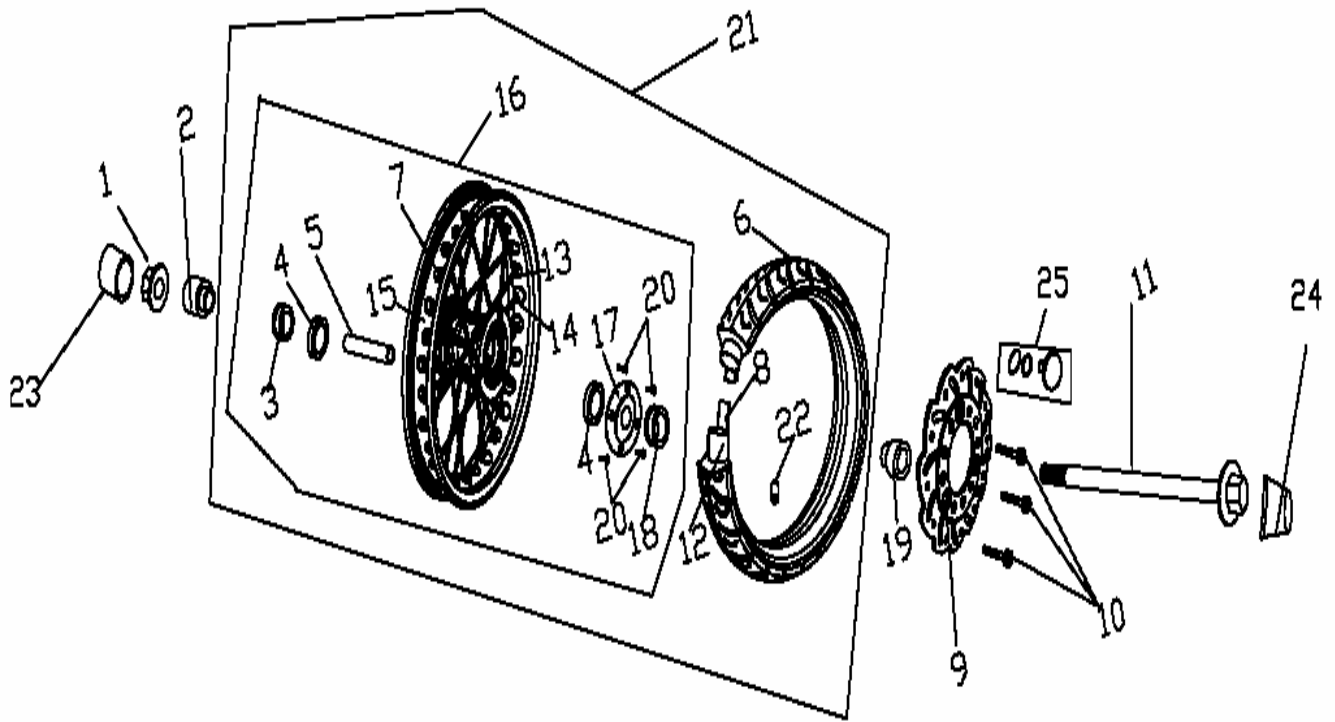
DIA.N	PART NO.	DESCRIPTION	Q'TY
U09-01	59000-98000	Front Brake Assy	1
U09-02	01H000101	Disc Pads	1
U09-03	57611-98000	Front Lever	1
U09-04	59610-98000	M/C Lid	1
U09-05	01H000104	Front Brake Hose	1
U09-06	59620-98000	Front Caliper	1
U09-07	59621-98000	Bracket,Front Caliper	1

U10. REAR BRAKE ASSY



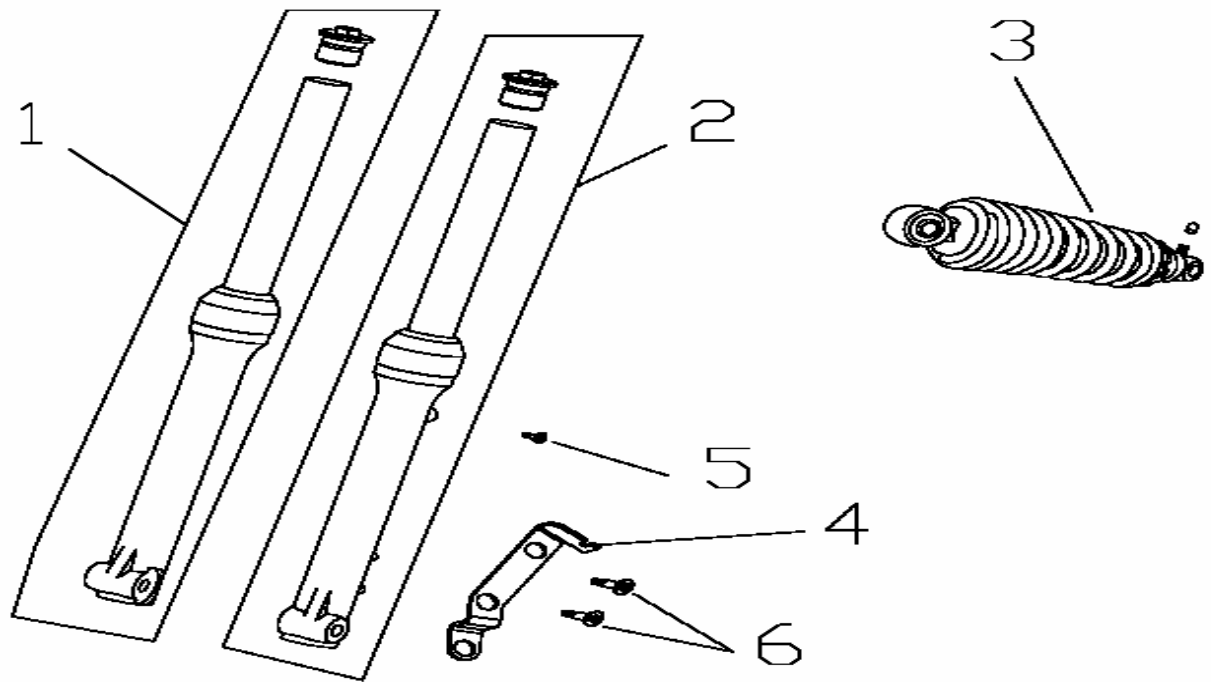
DIA.N	PART NO.	DESCRIPTION	Q'TY
U10-01	69000-9800	Rear Brake Assy	1
U10-02	GB/70-06030-N	Bolt, Hex-Head (M6*30)	2
U10-03	GB/70-08025-N	Bolt, Hex-Head(M8*25)	2
U10-04	01I000107	Oil Cup,Rear Brake Disc	1
U10-05	01I000102	Rear Master Cylinder	1
U10-06	01I000103	Rear Caliper	1
U10-07	01H000101	Disc Pads	1
U10-08	01I000104	Rear Brake Hose	1
U10-09	01I000600	Clip,Rear Brake Hose	1
U10-10	69621-84000	Bracket,Rear Caliper	1
U10-11	GB/93- ϕ 8-N	Washer(ϕ 8)	2
U10-12	01I000106	Bolt	1
U10-13	01I000105	Washer	2

U11. FRONT WHEEL ASSY



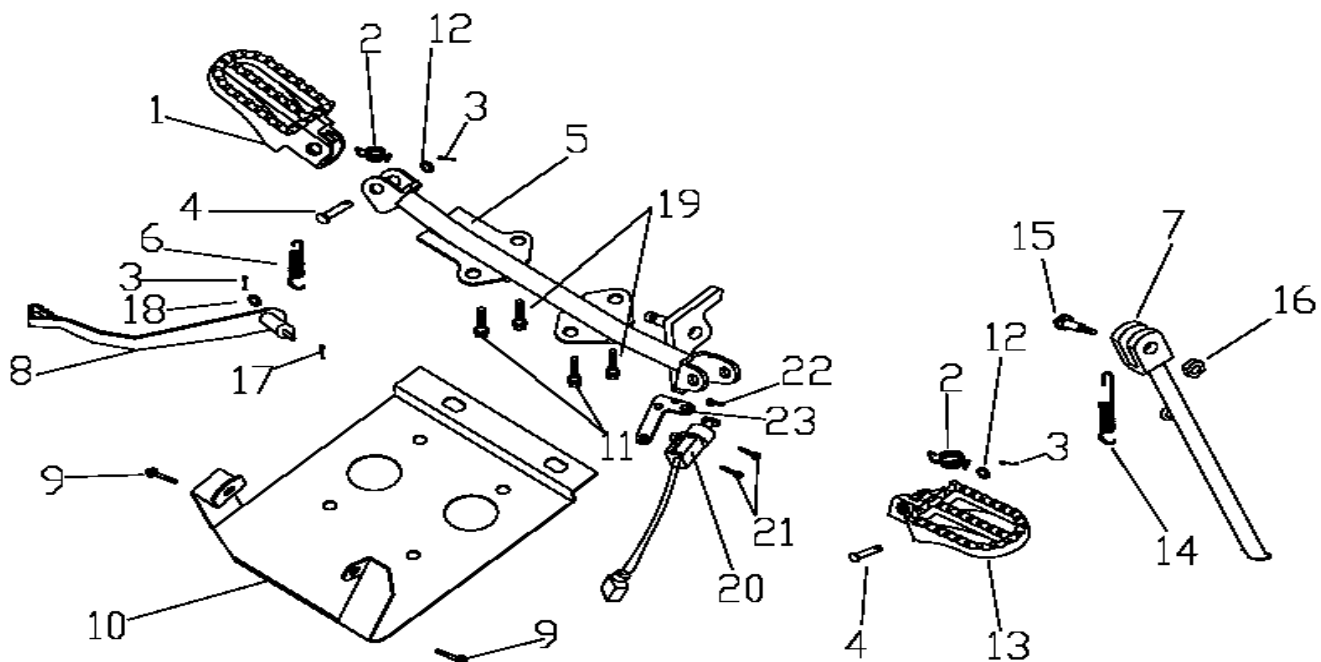
DIA.N	PART NO.	DESCRIPTION	Q'TY
U11-01	GB/6187-M12*1.25-LB	Flange Nut(M12*1.25)	1
U11-02	09320-12250-902	Right Spacer, Front Wheel Axle	1
U11-03	01F000402	Oil Seal (25*38*7)	1
U11-04	01F000103	Bearing(6904), Front Wheel	2
U11-05	01R000208	Spacer,Front Wheel Hub	1
U11-06	01F000604	Outer Tire(120/70-12")	1
U11-07	01F000111	Nut,Spoke	28
U11-08	01F000204	Front Band 12"	1
U11-09	59211-98000	Front Brake Disk	1
U11-10	01R001100	Bolt ,Hex-Head(M8*20)	3
U11-11	01R000300	Front Wheel Axle (M12*210)	1
U11-12	01F000605	Inner Tube (480*12")	1
U11-13	01F000121	Spoke B 12"	14
U11-14	01F000120	Spoke A 12"	14
U11-15	01F000602	Front Wheel Rim	1
U11-16	01F000901	Front Wheel Rim Assy.	1
U11-17	01G000106	Press Plate,Wheel Hub	1
U11-18	01F000401	Oil Seal(25*32*6)	1
U11-19	09320-12211-902	Left Spacer,Front Wheel Axle	1
U11-20	GB/819-04016-C	Bolt,Cross(M4*16)	4
U11-21	55000-98000-525	Front Wheel Assy.	1
U11-22	01F000108	Dust-Protecting Cap	1
U11-23	01Q001401	Right Sheathing,Front Wheel Axle	1
U11-24	01Q001400	Left Sheathing,Front Wheel Axle	1
U11-25	34910-98000	Trigger	1

U12. FRONT&REAR SHOCK ABSORBER ASSY



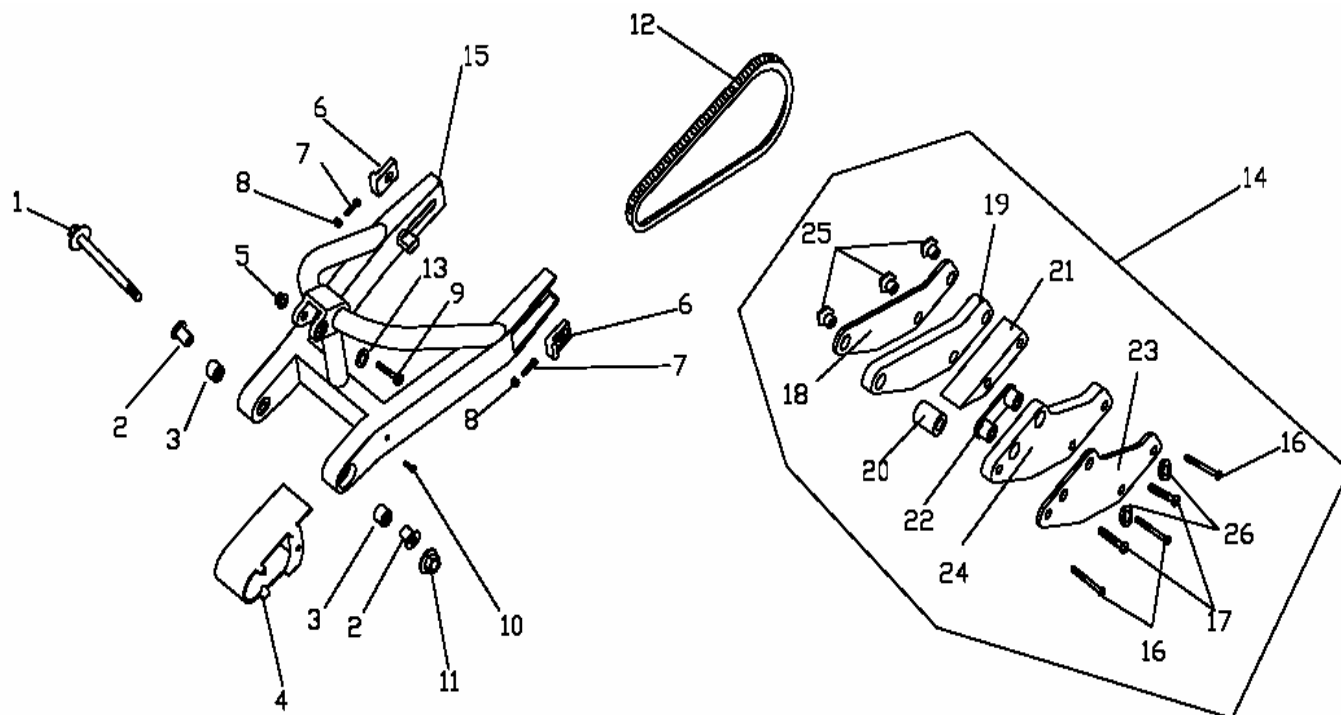
DIA.N	PART NO.	DESCRIPTION	Q'TY
U12-01	01B000200	Right Front Shock Absorber	1
U12-02	01B000100	Left Front Shock Absorber	1
U12-03	01D000400	Rear Shock Absorber Assy.	1
U12-04	52411-98000-203	Transducer Bracket	1
U12-05	01R001300	Bolt, Hex-Head (M6*10)	1
U12-06	GB/70-08025-N	Bolt, Hex-Head(M8*25)	2

U13. SKIP PLATE,ENGINE/FOOTREST BRACKET



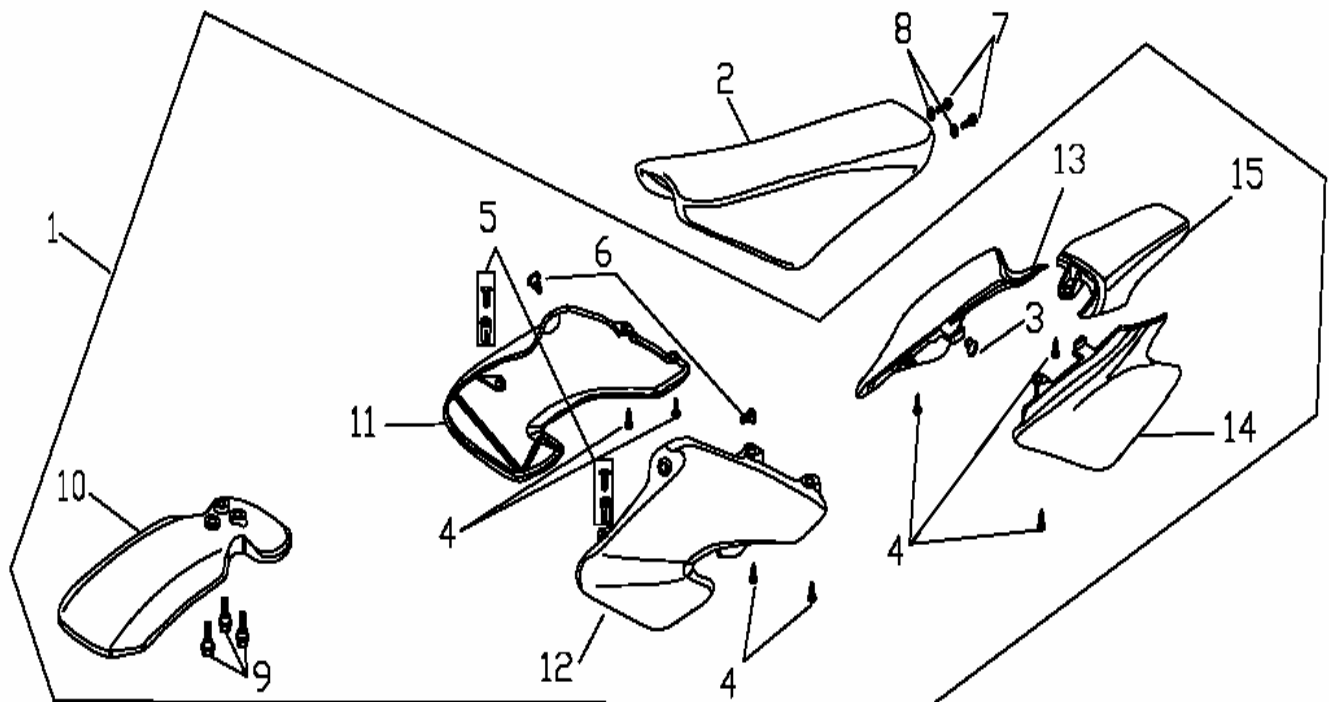
DIA.N	PART NO.	DESCRIPTION	Q'TY
U13-01	01A000102	Right Footrest	1
U13-02	01A000103	Spring, Footrest	2
U13-03	01R000901	Cotter Pin(2.5*25)	3
U13-04	01R000900	Clevis Pin	2
U13-05	43510-98000-201	Footrest Bracket	1
U13-06	01A000301	Spring, Brake Pedal	1
U13-07	01A010400	Side Stand (Longer)	1
U13-08	01A000300	Brake Pedal	1
U13-09	GB/5787-06016-L	Flange Nut(M6*16)	2
U13-10	01A000600	Skip Plate, Engine	1
U13-11	GB/9074.17-08025-LB	Bolt (M8*25)	2
U13-12	GB/97.1- ϕ 10-LB	Washer (ϕ 10)	2
U13-13	01A000101	Left Footrest	1
U13-14	09412-11030-902 09412-11020-902	Spring, Side Stand	1
U13-15	01A000202	Bolt, Side Stand	1
U13-16	GB/6170-M10*1.5-LB	Nut(M10*1.5)	1
U13-17	01R003600	Cotter Pin(2*16)	1
U13-18	GB/97.1- ϕ 14*1-LB	Washer(ϕ 14)	1
U13-19	GB/9074.17-08020-LB	Bolt (M8*20)	2
U13-20	37810-98000	Side Stand Kill Switch	1
U13-21	GB/70-05020-N	Bolt, Hex-Head(M5*20)	2
U13-22	01R001200	Bolt, Hex-Head(M5*8)	1
U13-23	42321-98000-201	Bracket,Side Stand Kill Switch	1

U14. SWING ARM ASSY



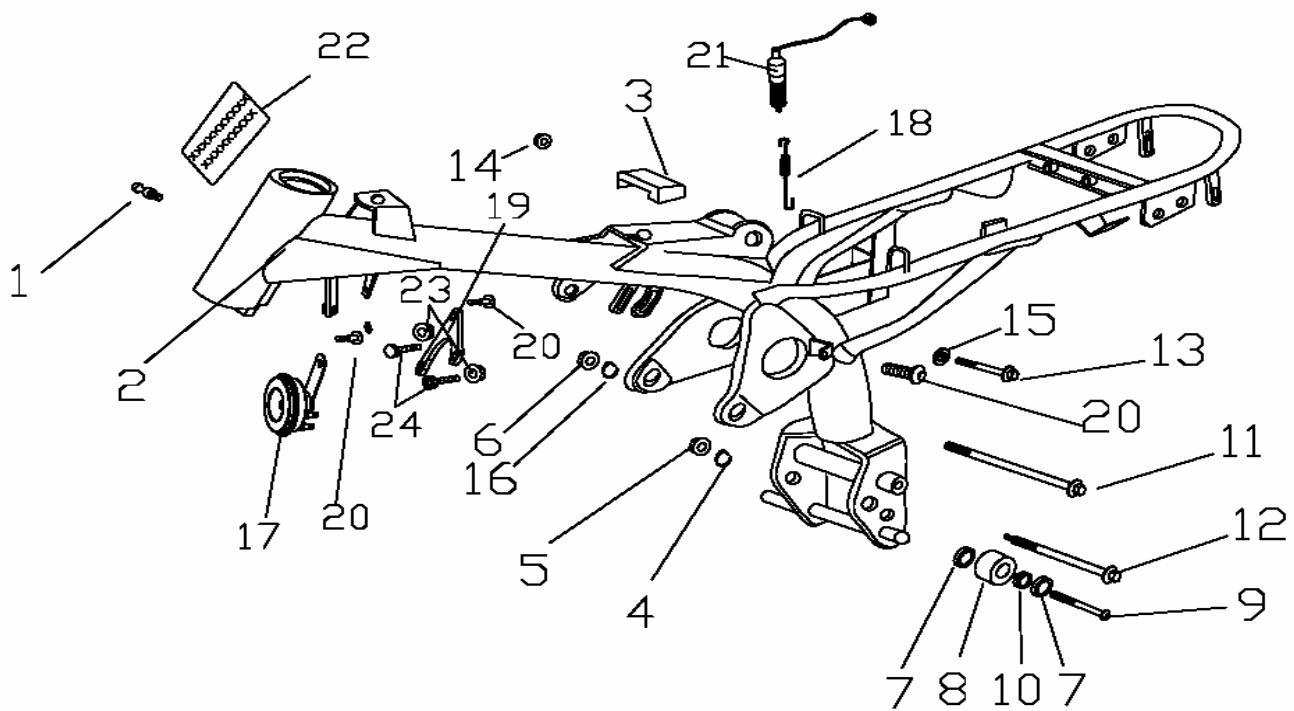
DIA.N	PART NO.	DESCRIPTION	Q'TY
U14-01	01R000400	Pivot, Swing Arm (M10*200*1.25)	1
U14-02	01R000402	Spacer, Swing arm	2
U14-03	GB/6903-NA	Needle Bearing (6903)	2
U14-04	01C000400	Slider, Chain	1
U14-05	GB/6187-M10-LB	Flange Nut (M10*1.5)	1
U14-06	01C000100	Right&Left Chain Adjustor	2
U14-07	GB/5783-06050-LB	Bolt, Hex-Head(M6*50)	2
U14-08	GB/6170-M6-LB	Bolt, Hex-Head(M6)	2
U14-09	GB/70-10050-LB	Bolt, Hex-Head (M10*50*1.5)	1
U14-10	01R001200	Bolt,Hex-Head (M5*8)	1
U14-11	GB/6187-M10*1.25-LB	Flange Nut (M10*1.25)	1
U14-12	64520-98000-098	Chain 98T	1
U14-13	GB/97.1- ϕ 10-LB	Washer(ϕ 10)	1
U14-14	01C000700	Chain Guard Assy	1
U14-15	61100-98000-528	Swing Arm Assy.	1
U14-16	01R003000	Bolt,Hex-Head(M6*40)	3
U14-17	01R003100	Bolt,Hex-Head (M8*20)	2
U14-18	01C000502	Right Nylon block, Chain Guide	1
U14-19	01C000703	Right Nylon block,Chain Guide	1
U14-20	01R000100	Middle Bush,Chain Guide	1
U14-21	01C000505	Middle Nylon Block, Chain Guide	1
U14-22	01C000706	Fixed Stay,Chain Guide	1
U14-23	01C000501	Left Board,Chain Guide	1
U14-24	01C000704	Left Nylon block,Chain Guide	1
U14-25	01C000507	Fixture Cap,Chain Guide	3
U14-26	GB/93- ϕ 8-N	Washer(ϕ 8)	2

U15. SEAT/COMPLETE SET OF COVERS



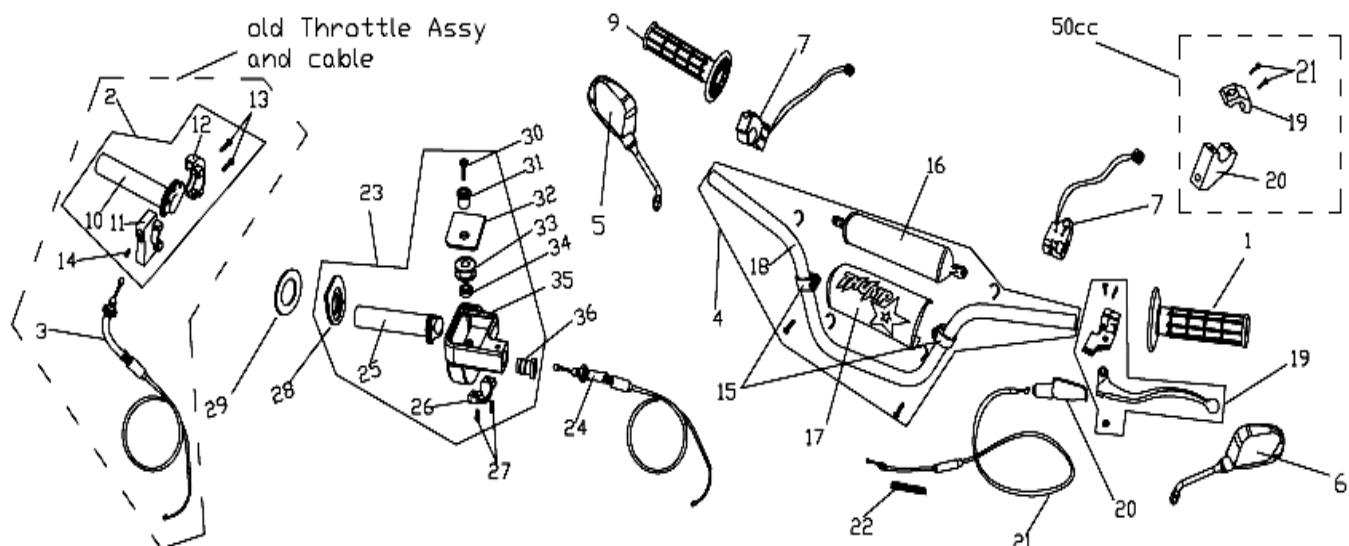
DIA.N	PART NO.	DESCRIPTION	Q'TY
U15-01	01L000000	Complete Set of Cover Assy	1
U15-02	01K000000	Seat Assy	1
U15-03	01Q001100	Insulate,Right Rear Side Cover	1
U15-04	GB/845-85-G	Bolt ,Cross	7
U15-05	01V000100	Plastic Fastener	2
U15-06	01R002000	Bolt,Hex-Head (M5*10)	2
U15-07	GB/70-06020-N	Bolt,Hex-Head (M6*20)	2
U15-08	GB/97.1- \$ 6-LB	Washer(\$ 6)	2
U15-09	01R002100	Flange Nut (M6*16*6)	3
U15-10	01L000800	Front Fender	1
U15-11	01L000300	Right Side Cover	1
U15-12	01L000200	Left Side Cover	1
U15-13	01L000500	Right Rear Side Cover	1
U15-14	01L000400	Left Rear Side Cover	1
U15-15	01L000600	Rear Fender	1

U16. FRAME ASSY



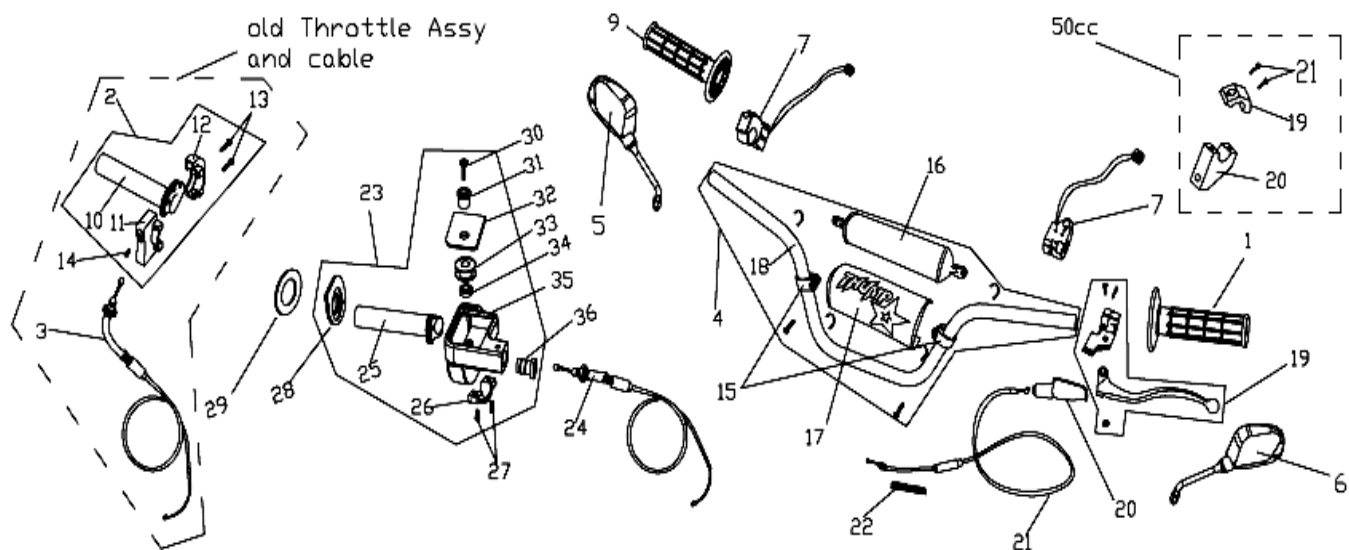
DIA.N	PART NO.	DESCRIPTION	Q'TY
U16-01	01A000500	Grease Nipple	1
U16-02	41100-98000-503	Frame Steel	1
U16-03	01Q000500	Tank Rubber	1
U16-04	GB/97.1- ϕ 8-LB	Washer(ϕ 8)	1
U16-05	GB/6187-M8-G	Flange Nut (M8)	1
U16-06	GB/6187-M10-G	Flange Nut (M10*1.5)	1
U16-07	01C000301	Bearing,Roller Chain (608)	2
U16-08	01C000300	Roller Chain	1
U16-09	02131-08350-906	Bolt,Hex-Head (M8*35)	1
U16-10	01R000500	Inner Spacer,Roller Chain	1
U16-11	GB/5787-10115-G	Flange Nut (M10*115*1.5)	1
U16-12	01R002200	Bolt, Flange(M8*110)	1
U16-13	GB/70-10045-LB	Bolt,Hex-Head (M10*45*1.5)	1
U16-14	GB/6187-M10-LB	Flange Nut (M10*1.5)	1
U16-15	GB/97.1- ϕ 10-LB	Washer(ϕ 10)	1
U16-16	05211-10020-906	Washer(ϕ 10)	1
U16-17	38500-98000	Horn	1
U16-18	09412-14310-902	Rear Brake Switch Spring	1
U16-19	14411-98000-902	Bracket, Compensating Air Valve	1
U16-20	01R001300	Bolt, Hex-Head(M6*10)	2
U16-21	37710-98000	Rear Brake Switch	1
U16-22	68311-98000	Name Plate	1
U16-23	GB/6177-M6-LB	Flange Nut(M6)	2
U16-24	GB/70-06020-N	Bolt,Hex- Head(M6*20)	2

U17. HANDLEBAR ASSY



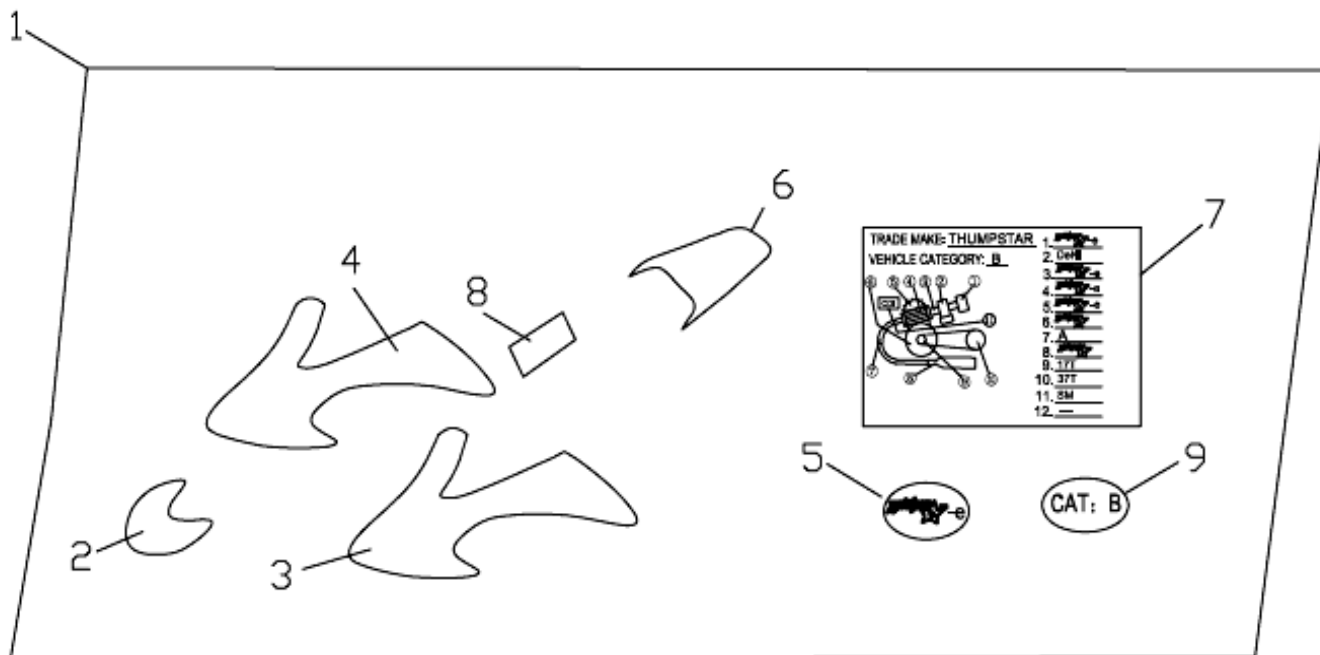
DIA.N	PART NO.	DESCRIPTION	Q'TY
U17-01	01Q000100	Left Handgrip	1
U17-02	57700-84000-201	Throttle Assy	1
U17-03	01E000600	Cable, Throttle	1
U17-04	01E000000	Handlebar, Assy.	1
U17-05	56610-98000	R/H Mirror	1
U17-06	56510-98000	L/H Mirror	1
U17-07	37400-98000	Switch, Right Handlebar	1
U17-08	37200-98000	Switch, Left Handlebar	1
U17-09	01Q000200	Right Handgrip	1
U17-10	57711-84000-505	Inner Cable, Throttle	1
U17-11	57722-84000-505	Lower Stay, Throttle	1
U17-12	57721-84000-505	Upper Stay,Throttle	1
U17-13	GB/70-05020-N	Bolt,Hex-Head (M5*20)	2
U17-14	GB/70-05010-N	Bolt,Hex-Head (M5*10)	1
U17-15	01E000102	Clip,Handlebar Foam	2
U17-16	01E000101	Foam ,Handlebar	1
U17-17	01O000900	Plastic Cover,Handlebar Foam	1
U17-18	56111-98000-203	Handle	1
U17-19	57300-85100(125cc)	Clutch Lever Assy. (125cc)	1
U17-20	01Q000900(125cc)	Plastic Sheath, Clutch Cable(125cc)	1
U17-21	01E000700(125cc)	Cable, Clutch (125cc)	1
U17-22	01E000701(125cc)	Spring, Clutch Cable(125cc)	1
U17-23	01E001000	Throttle Assy	1
U17-24	01E030400	Cable, Throttle	1

U17. HANDLEBAR ASSY



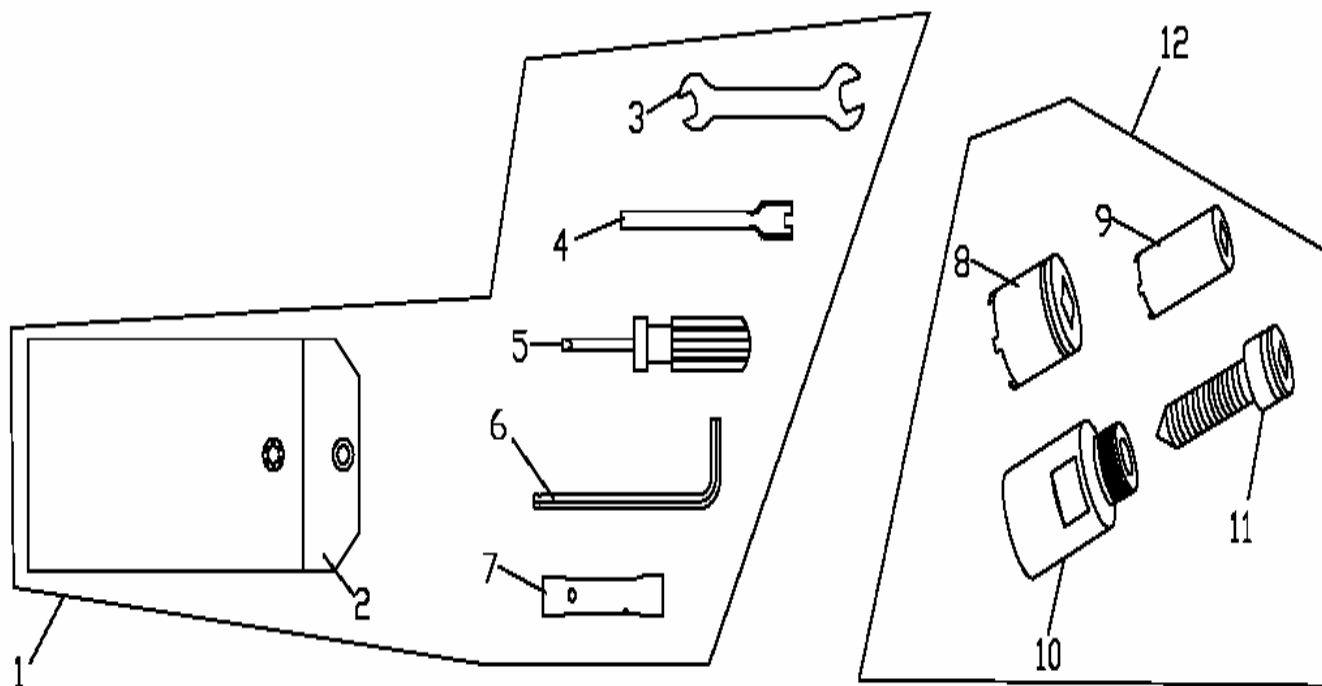
DIA.N	PART NO.	DESCRIPTION	Q'TY
U17-25	01E000900	Inner Cable ,Throttle	1
U17-26	01E000901	Throttle Clamp	1
U17-27	GB/70-05016-L	Bolt, Hex-Head (M5*16)	2
U17-28	01E000903	Body Plate	1
U17-29	01E000908	Grip Separator	1
U17-30	01R004100	Cover Bolt(M4*16)	1
U17-31	01E000907	Cover Sleeve	1
U17-32	01E000904	Throttle Cover	1
U17-33	01E000905	Guide Wheel	1
U17-34	GB/T276-94-696Z	Bearing	1
U17-35	01E000902	Throttle body	1
U17-36	01E000906	Cable Locator	1
U17-19	56711-98000(50CC)	Stay Plate A, Rear View Mirror(50CC)	1
U17-20	56721-98000(50CC)	Stay Plate B, Rear View Mirror(50CC)	1
U17-21	02131-06200-906(50CC)	Bolt, Hex-Head (M6*20)(50CC)	2

U18. COMPLETE SET OF DECALS



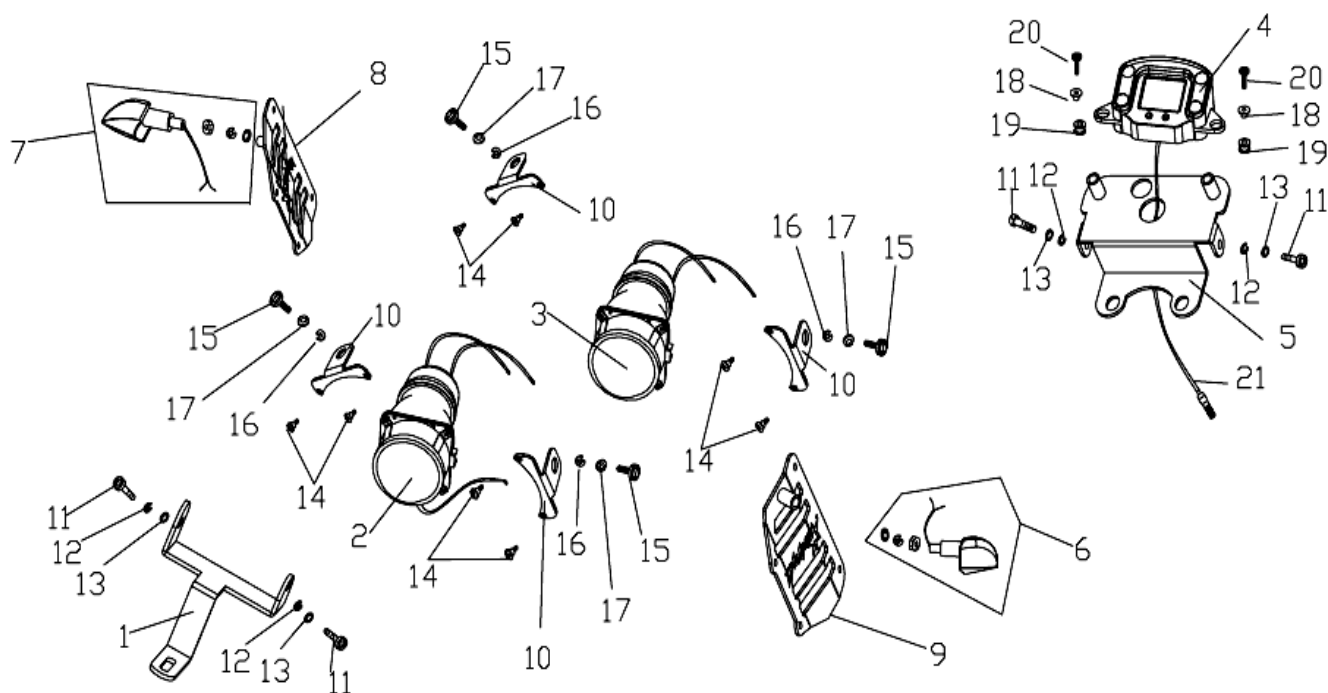
DIA.N	PART NO.	DESCRIPTION	Q'TY
U18-01	68100-85100	Complete Set of Decals	1 set
U18-02	68111-85100	Decal, Front Fender	1
U18-03	68121-85100	Decal, Left Side Cover	1
U18-04	68122-85100	Decal, Right Side Cover	1
U18-05	68171-98000	Refit Guarding Decal THUMP☆-e	4
U18-06	68112-85100	Decal ,Rear Fender	1
U18-07	68172-98000(50CC) 68172-85100(125CC)	Refit Guarding Decal(70*48)	1
U18-08	68162-85100	Decal, Battery Cover	1
U18-09	68173-85100	Refit Guarding Decal CAT:B	1

U19. COMPLETE SET OF TOOLS



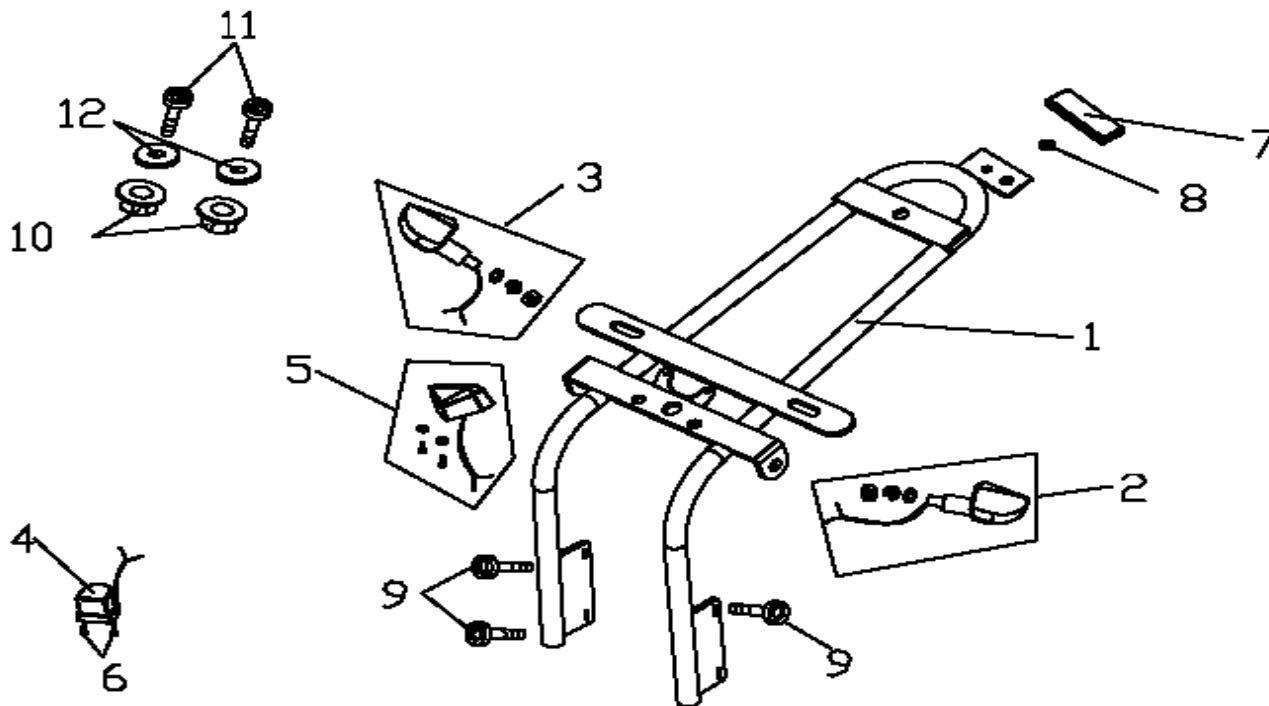
DIA.N	PART NO.	DESCRIPTION	Q'TY
U19-01	01T000200	Accessory Tools	1
U19-02	01T000206	Bag, Accessory Tools	1
U19-03	01T000203	Open End Wrench(10",12")	1
U19-04	01T000201	Spoke Spanner	1
U19-05	01T000204	Dual-purpose Screwdriver	1
U19-06	01T000202	Inner Hex Spanner	1
U19-07	01T000205	Socket Spanner, Spark Plug	1
U19-08	01T000301	Socket Spanner, Oil Filter	1
U19-09	01T000302	Socket Spanner,Clutch(for 125cc)	1
U19-10	01T000303	Flywheel Puller	1
U19-11	01T000304	Bolt, Flywheel Puller	1
U19-12	01T000300	Engine Tools	1

U20. FRONT LIGHT



DIA.N	PART NO.	DESCRIPTION	Q'TY
U20-01	51502-98000-523	Lower Bracket, Head Light	1
U20-02	01N001302	Front headlight (dipped)	1
U20-03	01N001301	Front headlight (main)	1
U20-04	01N001100(50CC) 34100-85100(125CC)	Indicator Assy. Comp.	1
U20-05	51501-98000-523	Upper Bracket, Head Light	1
U20-06	01N001401	L/H Light	1
U20-07	01N001402	R/H Light	1
U20-08	52504-98000-523	Right Bracket, Headlight	1
U20-09	52503-98000-523	Left Bracket, Headlight	1
U20-10	52505-98000-523	Small Bracket, Headlight	1
U20-11	GB/70-06016-LB	Bolt, Hex- Head(M6*16)	4
U20-12	GB/93- ϕ 6-LB	Washer(ϕ 6)	4
U20-13	GB/97.1- ϕ 6-LB	Washer(ϕ 6)	4
U20-14	02511-04161-905	Screw(ST4.0*16)	8
U20-15	GB/70-05010-N	Bolt, Hex-Head(M5*10)	4
U20-16	05211-05010-906	Washer(ϕ 5)	4
U20-17	GB/97.1- ϕ 5-LB	Washer(ϕ 5)	4
U20-18	09452-12060	Speedometer Bush	2
U20-19	09171-13090	Grummet	2
U20-20	02132-06200-906	Bolt,Hex-Head (M6*20)	2
U20-21	34111-98000	Sensor	1

U21. REAR LIGHT



DIA.N	PART NO.	DESCRIPTION	Q'TY
U21-01	63120-98000-503	Bracket, Trail Light	1
U21-02	01N001404	R-r Indicator Light	1
U21-03	01N001403	L-r Indicator Light	1
U21-04	35910-98000(125cc)	License Plate Lamp(125cc)	1
U21-05	35710-98000	Rear light	1
U21-06	GB/845-85-G(125cc)	Screw(ST4.2*16)(125cc)	2
U21-07	01L001300	Rear reflector red	1
U21-08	GB/6177-M5-LB	Flange Nut(M5)	1
U21-09	GB/70-06016-LB	Bolt, Hex- Head(M6*16)	3
U21-10	GB/6177-M6-LB	Flange Nut(M6)	2
U21-11	02132-06200-906	Bolt, Hex-Head(M6*20)	2
U21-12	GB/97.1- φ 6-LB	Washer(φ 6)	2