



ENGINE PARTS CATALOG 125CC(E)

V. 2005. Nov.

CONTENTS

E01- Cylinder Head

E02- Cylinder Head/Cylinder

E03- Camshaft/Valve

E04- Cam Chain Tensioner

E05- Crankcase

E06- Oil Pump

E07- Crankshaft/Piston

E08- Starting Motor

E09- Left Crankcase Cover/Generator

E10- Cover, Starting Clutch

E11- Right Crankcase Cover

E12- Clutch

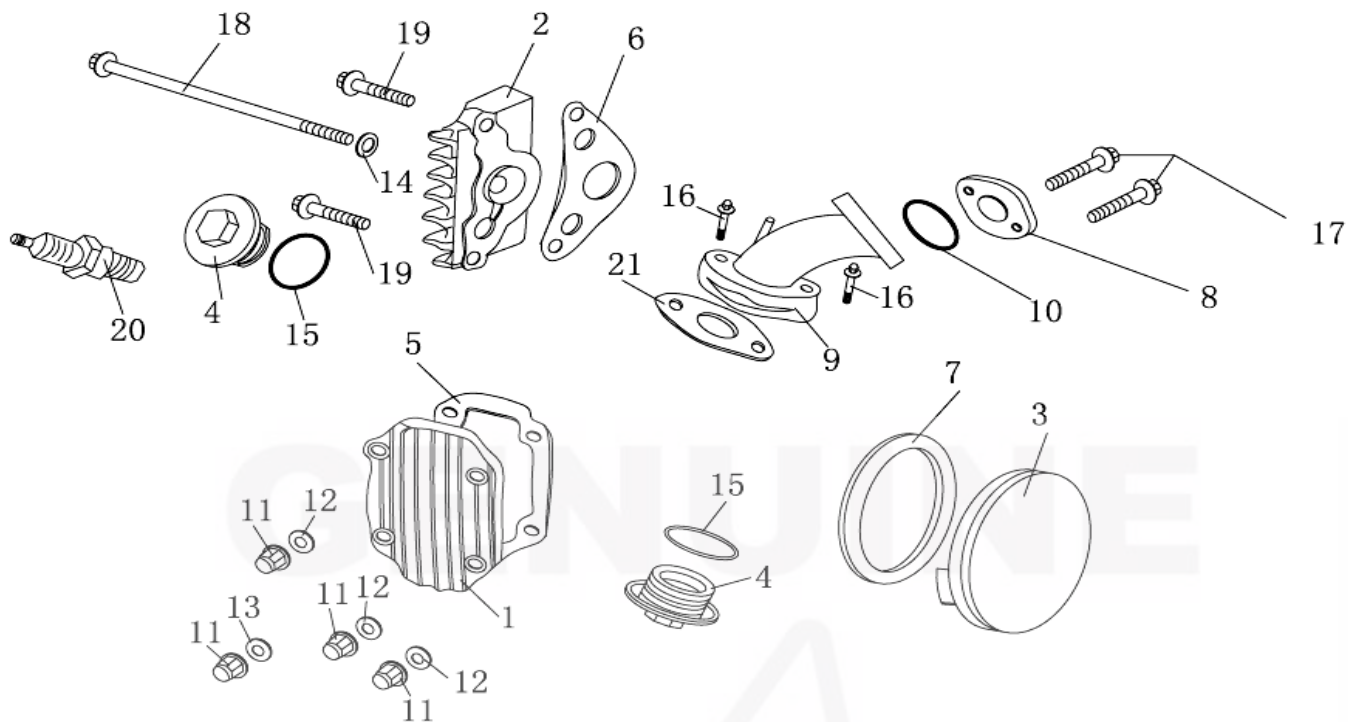
E13- Transmission

E14- Gearshift Mechanism

E15- Kick Starting Mechanism

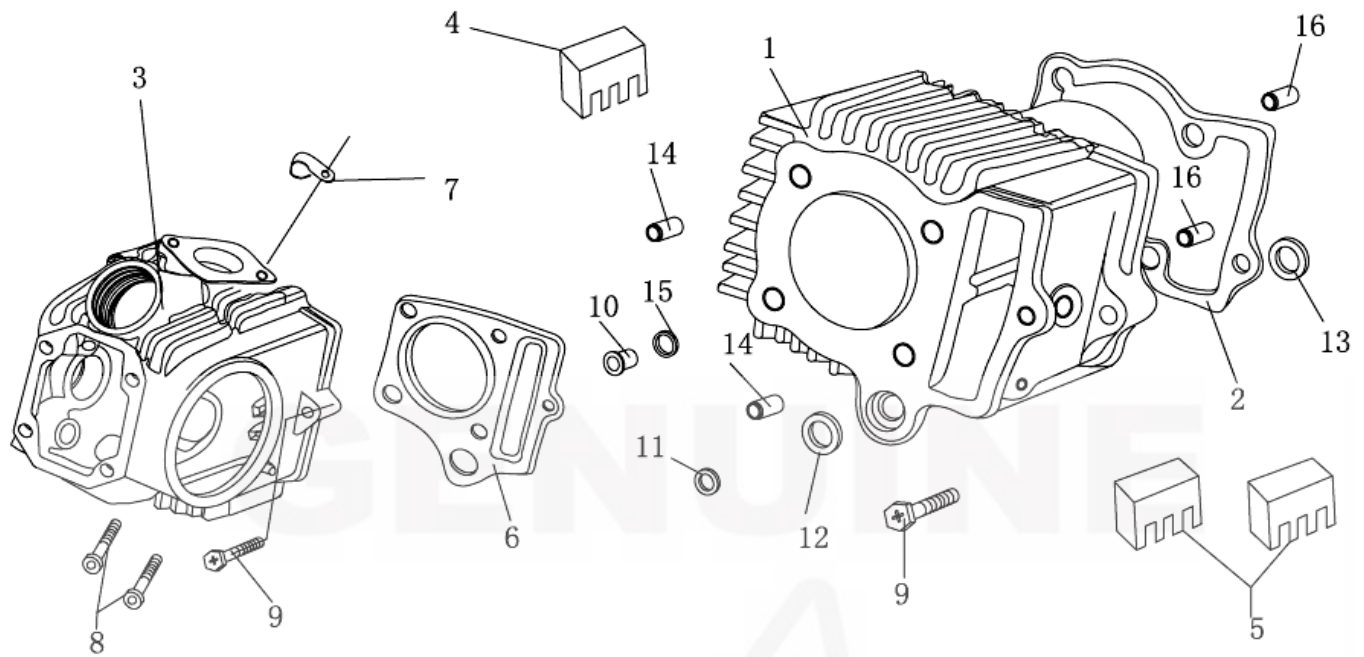
E16- Carburetor

E01- CYLINDER HEAD



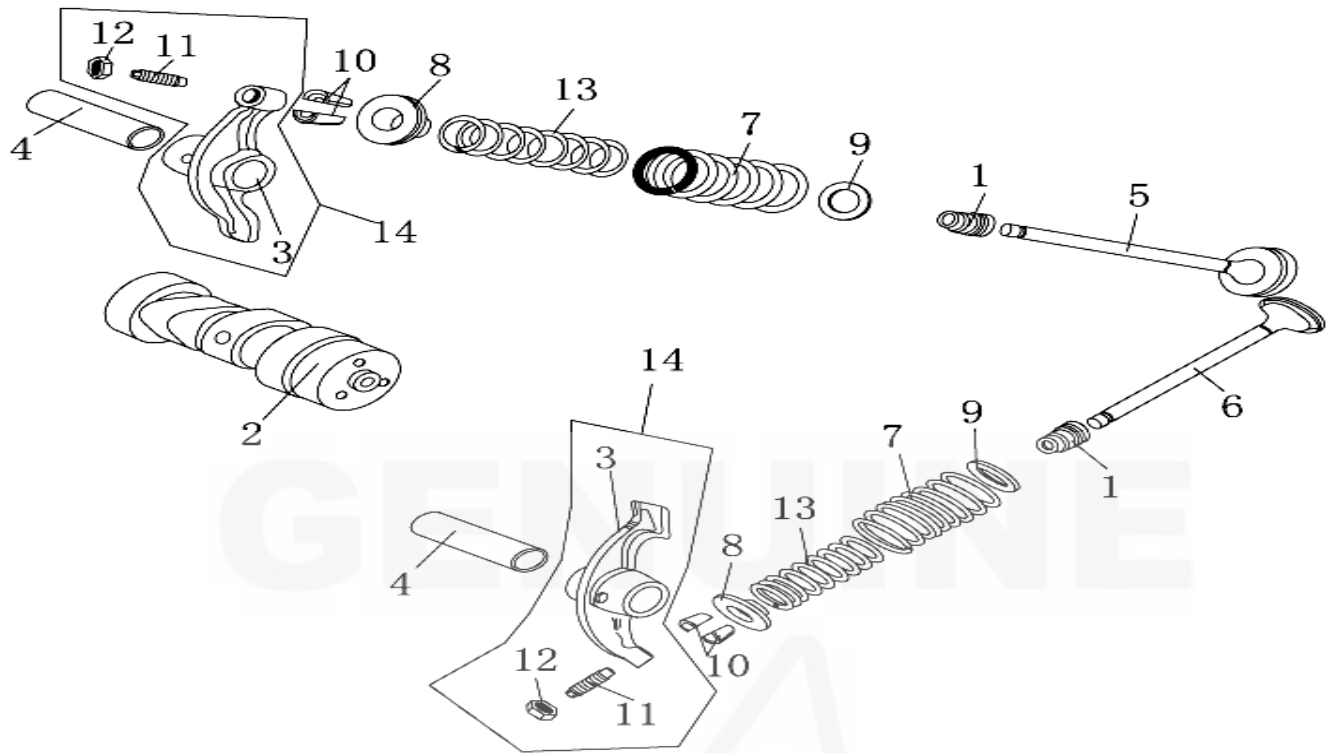
DIA.N	PART NO.	DESCRIPTION	Q'TY
E01-01	12231-DE0000-000	Cylinder Head Cover	1
E01-02	12332-DE0000-000	Cylinder Head Cover R.	1
E01-03	12331-CDE000-000	Cylinder Head Cover L.	1
E01-04	FB000101	Valve Cover	2
E01-05	12232-DE0000-000	Gasket, Cylinder Head Cover	1
E01-06	20136-DE0000-000	Gasket, Cylinder Head R.	1
E01-07	12333-CDE0000-000	Gasket, Cylinder Head L.	1
E01-08	16107-ABCDEF-000	Gasket, Insulator	1
E01-09	16103-E00000-000	Pipe In	1
E01-10	90701-25002-000	O Ring ϕ 25*2.4	1
E01-11	GB/923-88-M7-L	Nut Flange M7	4
E01-12	90301-07005-00B	Washer ϕ 7.5	3
E01-13	90301-07005-0CU	Copper Washer ϕ 7.5	1
E01-14	90301-6-00B	Aluminium Washer ϕ 6.5	1
E01-15	90701-31003-005	O Ring, Valve ϕ 27.4* ϕ 2.4	2
E01-16	GB/5787-06025-L	Bolt, Hex-Flange M6*25	2
E01-17	GB/70-06030-N	Bolt, Cylinder Hex-Head M6*30	2
E01-18	GB/5787-06110-L	Bolt, Hex-Flange M6*110	1
E01-19	GB/5787-06020-L	Bolt, Hex-Flange M6*20	2
E01-20	30700-ABCDEF-000	Spark, Plug	1
E01-21	17191-ABCDEF-000	Gasket, Pipe In	1

E02- CYLINDER HEAD/CYLINDER



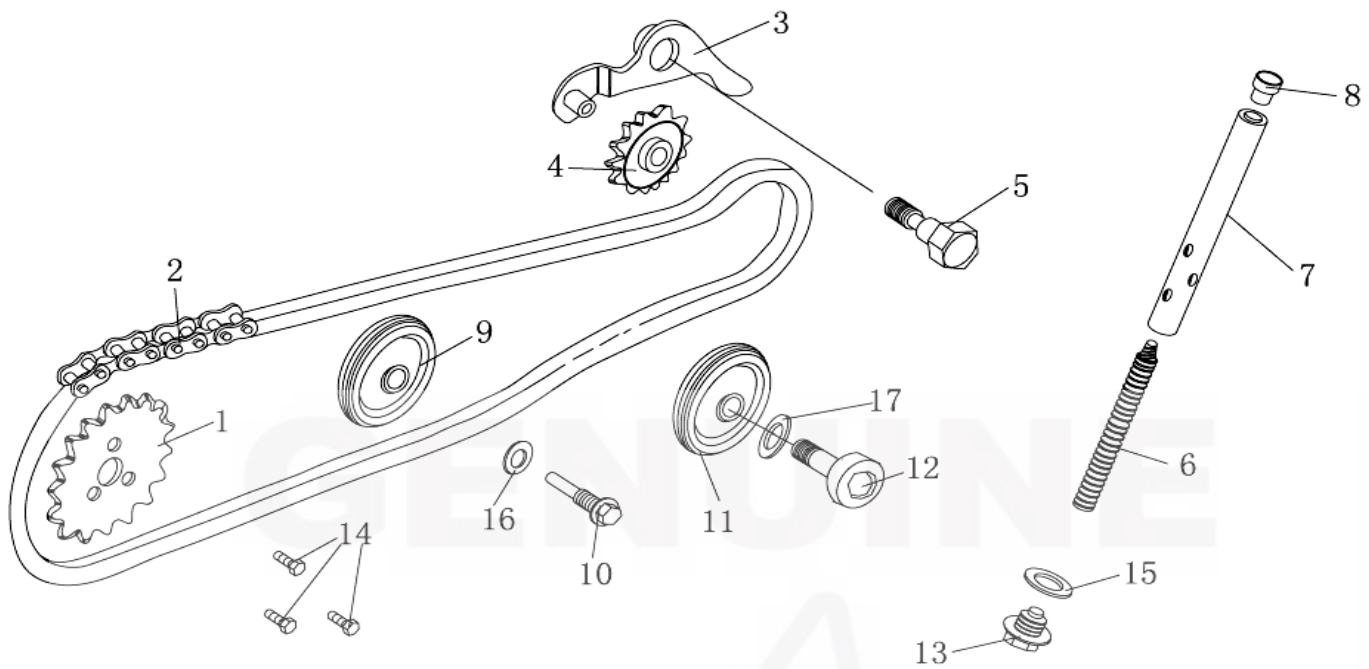
DIA.N	PART NO.	DESCRIPTION	Q'TY
E02-01	1211A-DE0000-000	Cylinder	1
E02-02	12241-DE0000-000	Gasket, Cylinder	1
E02-03	1220A-DE0000-000	Cylinder Head	1
E02-04	12003-DE0000-000	Rubber Cushion 1, Cylinder	1
E02-05	12004-DE0000-000	Rubber Cushion 2, Cylinder	2
E02-06	12401-EF0000-000	Gasket, Cylinder Head	1
E02-07	90563-ABCDEF-000	Clip, Hi-Pot Cable	1
E02-08	GB/70-06020-N	Bolt, Cylinder Hex- Head M6*20	2
E02-09	GB/19.2-06020-L	Bolt, Hex- Head Cross M6*20	2
E02-10	90414-ABCDEF-000	Bush 20134	1
E02-11	90128-ABCDEF-000	Bush 20128	1
E02-12	12393-ABCDEF-00A	Seal Ring A ϕ 15* ϕ 19*2.4	1
E02-13	12393-ABCDEF-00B	Seal Ring B ϕ 11.5* ϕ 16*2.5	1
E02-14	90411-08014-000	Pin, Dowel 92401-08014	2
E02-15	12395-ABCDEF-000	Gasket, Seal ϕ 8*2	1
E02-16	90411-08012-000	Pin, Dowel 92401-08012	2

E03- CAMSHAFT/VALVE



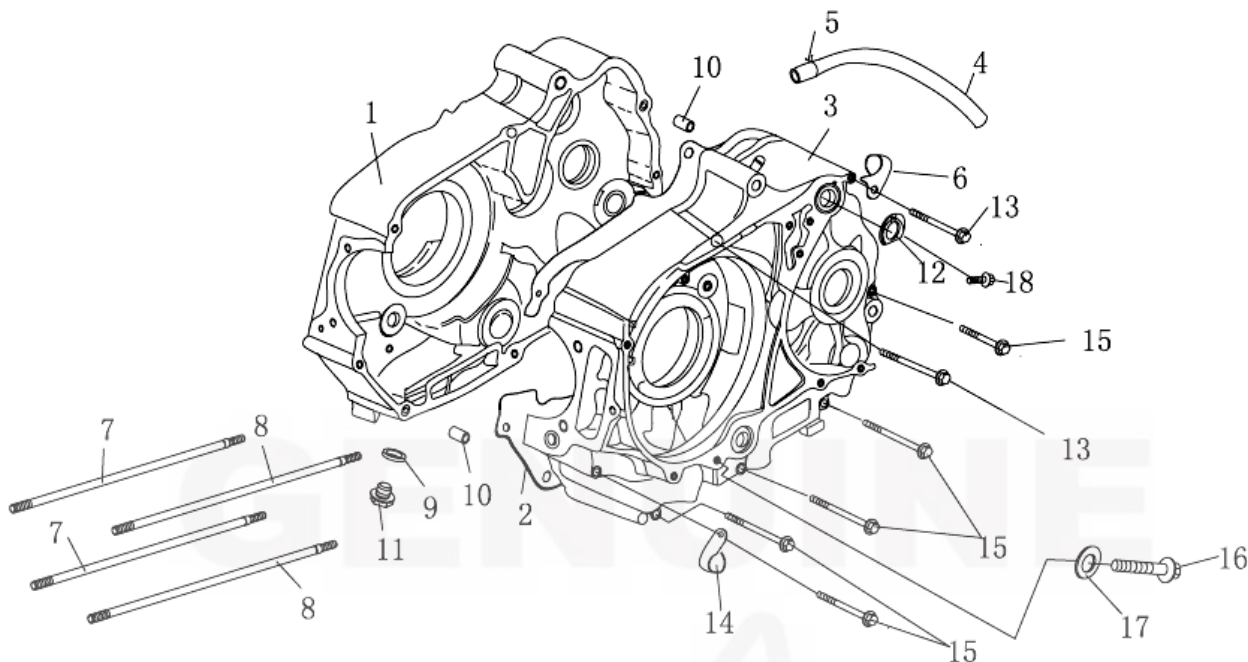
DIA.N	PART NO.	DESCRIPTION	Q'TY
E03-01	14790-ABCDEF-000	Oil Seal, Valve	2
E03-02	14100-ABCDEF-000	Camshaft, Comp.	1
E03-03	20111-ABCDEF-000	Valve Rocker Arm	2
E03-04	14450-ABCDEF-000	Shaft, Valve Rocker On	2
E03-05	14711-DE0000-000	Valve In	1
E03-06	14721-DE0000-000	Valve Out	1
E03-07	20116-DE0000-000	Spring, Valve Outer	2
E03-08	20118-DE0000-000	Retainer, Valve Outer	2
E03-09	20115-DE0000-000	Seat, Valve Spring Outer	2
E03-10	20119-DE0000-000	Cotter, Valve	4
E03-11	14436-ABCDEF-000	Screw, Tappet Adjusting	2
E03-12	14437-ABCDEF-000	Nut, Tappet Adjusting	2
E03-13	20117-DE0000-000	Spring, Valve Inner	2
E03-14	14430-ABCDEF-000	Valve Rocker Arm Comp.	2

E04- CAM CHAIN TENSIONER



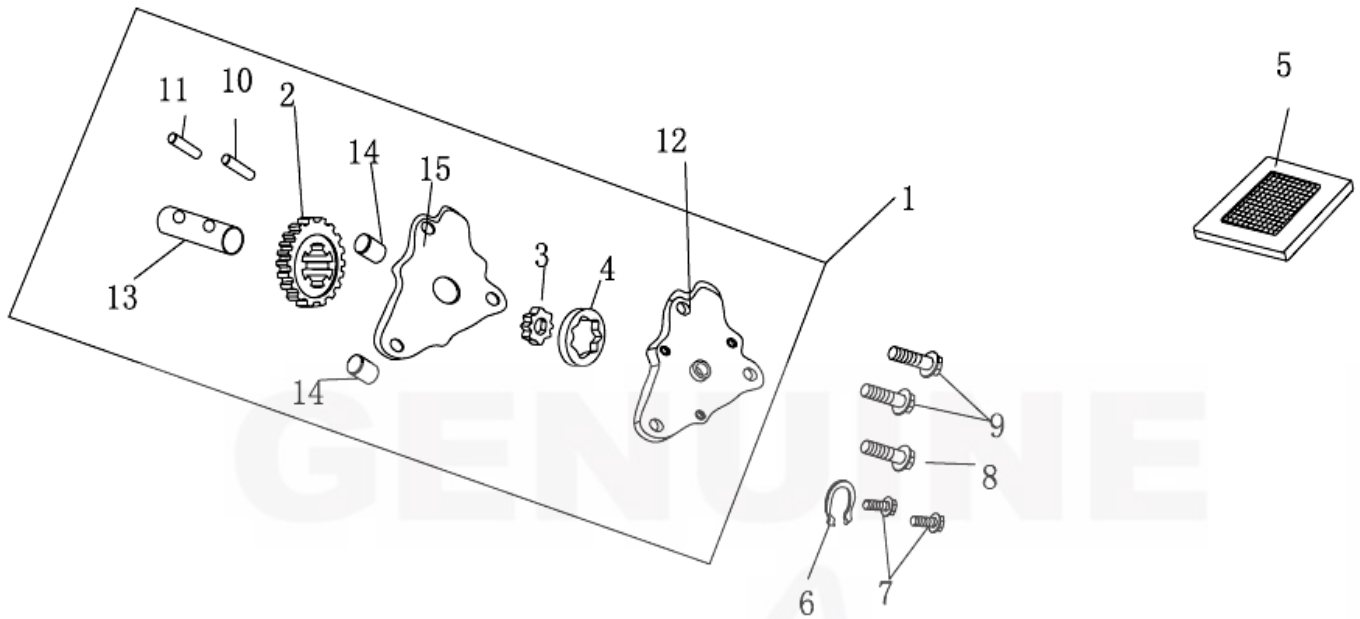
DIA.N	PART NO.	DESCRIPTION	Q'TY
E04-01	14109-CDE000-000	Sprocket 32T, Cam	1
E04-02	14440-CDE000-000	Chain 90S, Cam	1
E04-03	14530-ABCDEF-000	Arm, Cam Chain Tensioner	1
E04-04	14541-ABCDEF-000	Roller, Cam Chain Tensioner	1
E04-05	14542-ABCDEF-000	Pivot, Cam Chain Tensioner	1
E04-06	14543-ABCDEF-000	Spring, Cam Chain Tensioner	1
E04-07	14510-ABCDEF-000	Rod, Cam Chain Tensioner	1
E04-08	14512-ABCDEF-000	End, Cam Chain Tensioner Rod	1
E04-09	14560-CDE000-000	Roller, Cam Chain Guide	1
E04-10	14561-CDE000-000	Pin, Cam Chain Guide Roller	1
E04-11	15133-CDE000-000	Sprocket Wheel, Oil Pump	1
E04-12	15114-CDEF00-000	Shaft, Oil Pump Sprocket Wheel	1
E04-13	90111-12014-00L	Bolt, Sealing Chain Tensioner M14*1.5	1
E04-14	GB/5783-05012-B	Bolt, Hex-Head M5*12	3
E04-15	90301-14-00B	Washer φ 14	1
E04-16	90301-8-00B	Washer φ 8	1
E04-17	14523-037-000	Washer φ 6	1

E05- CRANKCASE



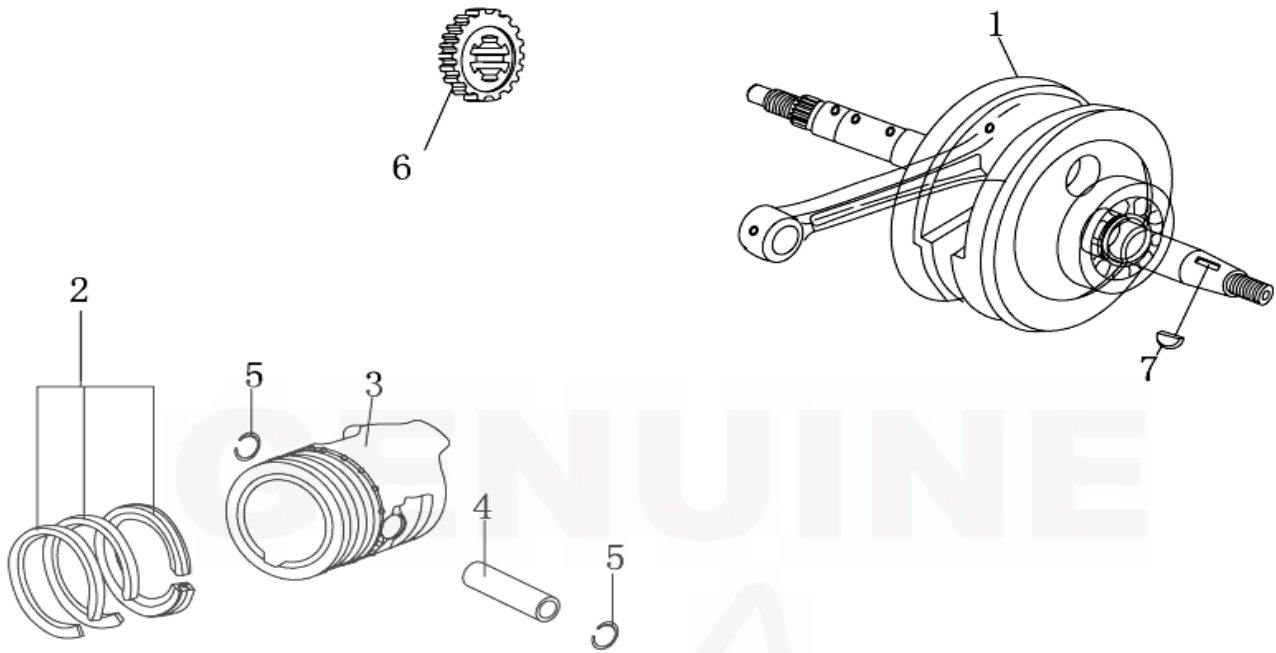
DIA.N	PART NO.	DESCRIPTION	Q'TY
E05-01	1110A-E00000-00B	Crankcase R.	1
E05-02	11009-E00000-000	Gasket, Crankcase	1
E05-03	1120A-E00000-00B	Crankcase L.	1
E05-04	11211-E00000-000	Tube, Breather	1
E05-05	11421-E00000-000	Clip, Tube	1
E05-06	11212-E00000-000	Clip, Breather Tube	1
E05-07	GB/899-07205-C	Bolt A205, Cylinder Stud	2
E05-08	GB/899-07215-C	Bolt B215, Cylinder Stud	2
E05-09	96301-12-000	Aluminium Washer ϕ 12	1
E05-10	90411-10014-000	Pin, Dowel ϕ 10*14	2
E05-11	90115-12015-00L	Bolt, Drain Plug M12*1.5	1
E05-12	11501-E00000-000		1
E05-13	GB/5787-06060-L	Bolt, Hex-Flange M6*60	2
E05-14	14440-ED0000-000	Clip, Carburetor Drain Oil Tube	1
E05-15	GB/5787-06065-L	Bolt, Hex-Flange M6*65	5
E05-16	GB/5787-06018-L	Bolt, Hex-Flange M6*18	1
E05-17	90301-6-00B	Aluminium Washer ϕ 6.5	1
E05-18	GB/5787-06012-L	Bolt, Hex-Flange M6*12	1

E06- OIL PUMP



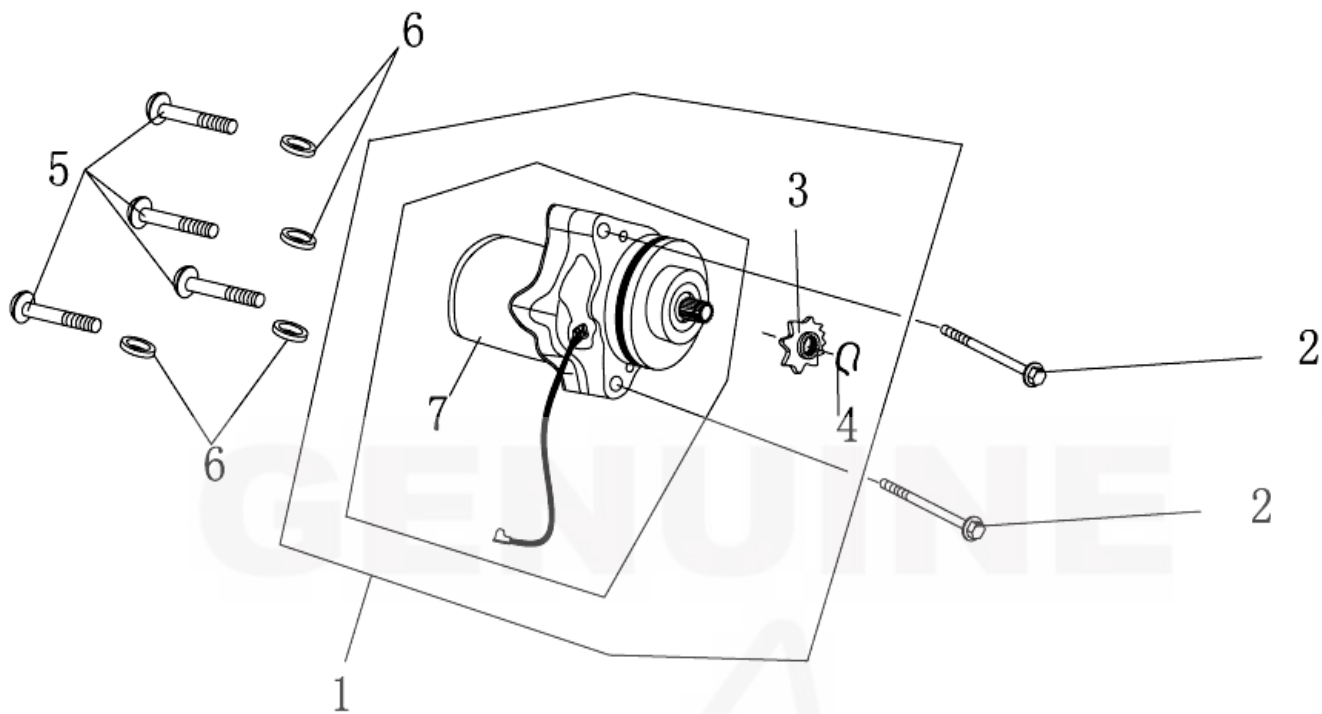
DIA.N	PART NO.	DESCRIPTION	Q'TY
E06-01	15100-CE00000-000	Oil Pump Assy.	1
E06-02	15105-CE0000-000	Driven Gear , Oil Pump	1
E06-03	15103-CE0000-000	Stator, Oil Pump Inner	1
E06-04	15104-CE0000-000	Stator, Oil Pump Outer	1
E06-05	15160-ABCDEF-000	Screen, Oil Filter	1
E06-06	15110-CE0000-000	Circlip ϕ 8	1
E06-07	GB/5783-05010-L	Bolt, Hex-Head M5*10	2
E06-08	GB/5787-06035-L	Bolt, Hex-Flange M6*35	1
E06-09	GB/5787-06040-L	Bolt, Hex-Flange M6*40	2
E06-10	GB/119-02010-000	Pin ϕ 2.5*10	1
E06-11	GB/119-03016-000	Pin ϕ 3*16	1
E06-12	15102-CE0000-000	Cover, Oil Pump	1
E06-13	15107-CE0000-000	Drive Shaft, Oil Pump	1
E06-14	90411-08014-000	Pin, Dowel 92401-08014	1
E06-15	15101-CE0000-000	Body, Oil Pump	1

E07- CRANKSHAFT/PISTON



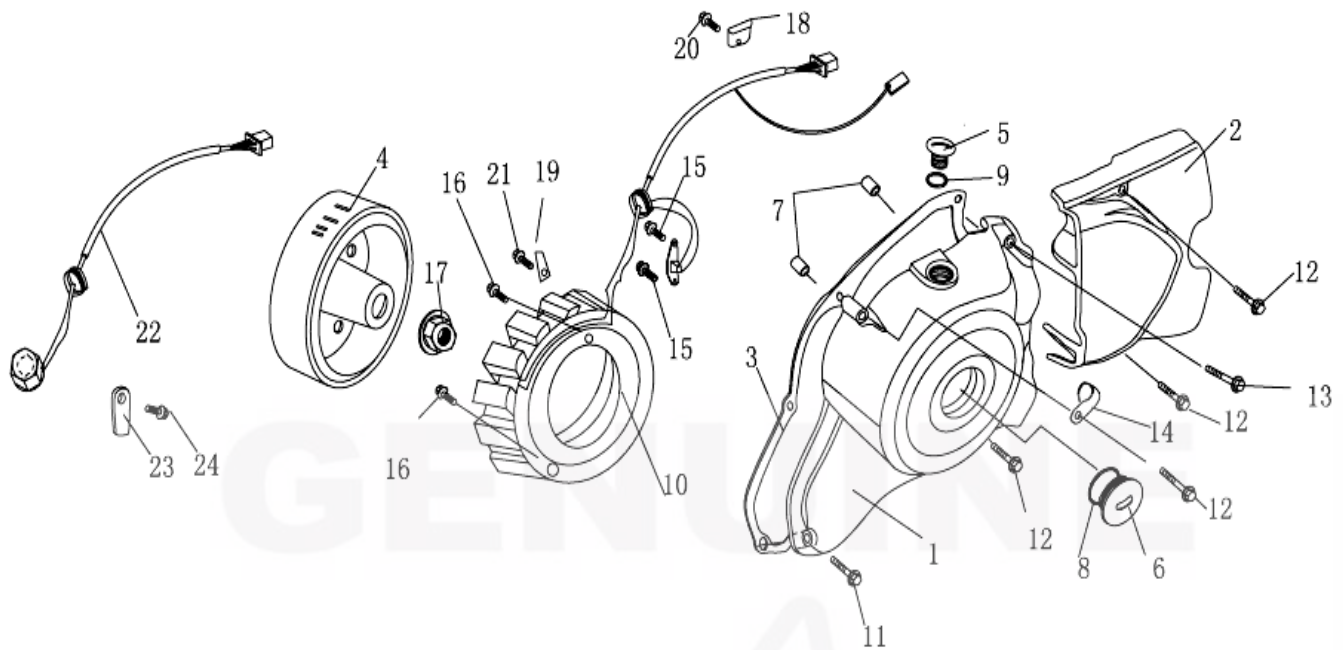
DIA.N	PART NO.	DESCRIPTION	Q'TY
E07-01	13000-DE0000-000	Crankshaft Assy.	1
E07-02	13111-DE0000-000	Ring Set, Piston	1
E07-03	13101-DE0000-000	Piston	1
E07-04	13102-DE0000-000	Pin, Piston ϕ 13*38.5	1
E07-05	13112-ABCDEF-000	Clip, Piston Pin	2
E07-06	15108-CE0000-000	Drive Sprocket, Oil Pump 17T	1
E07-07	13206-E00000-000	Key, Woodruff	1

E08- STARTING MOTOR



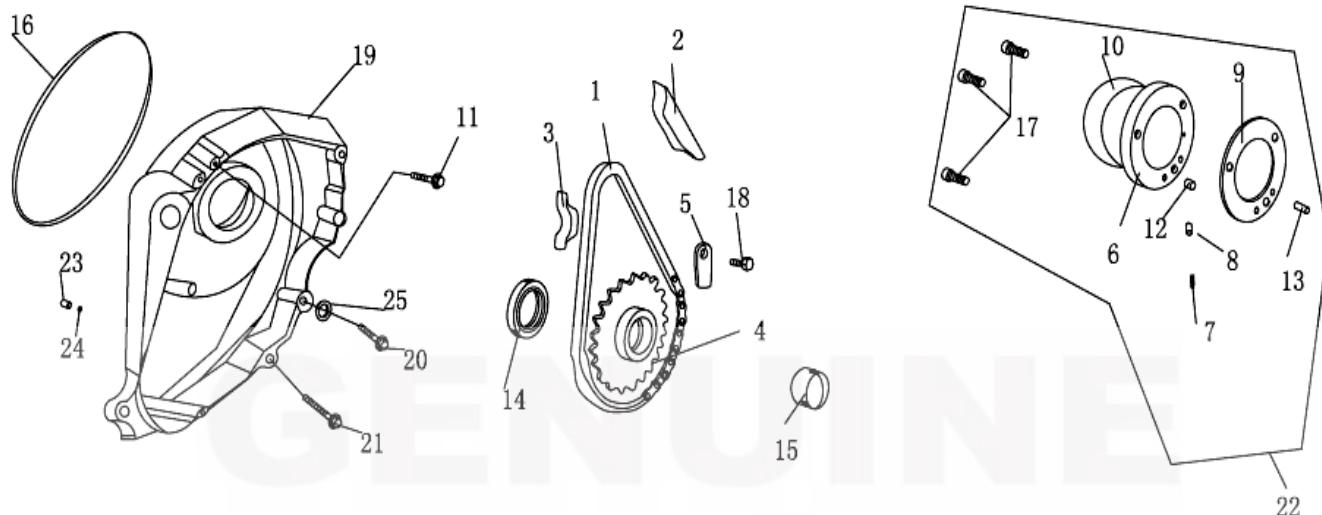
DIA.N	PART NO.	DESCRIPTION	Q'TY
E08-01	31200-ABCEF0-000	Starting Motor Assy	1
E08-02	GB/5787-06025-L	Bolt, Hex-Flange M6*25	2
E08-03	31231-ABCEF0-000	Driving Sprocket Wheel , Start Motor12T	1
E08-04	90311-ABCEF0-000	Circlip, Motor Sprocket Wheel ϕ 10.8	1
E08-05	GB/823-05030-L	Bolt, Cross M5*30	4
E08-06	90313-ABCEF0-000	Washer ϕ 5	4
E08-07	31201-ABCEF0-000	Motor Assy	1

E09- LEFT CRANKCASE COVER/GENERATOR



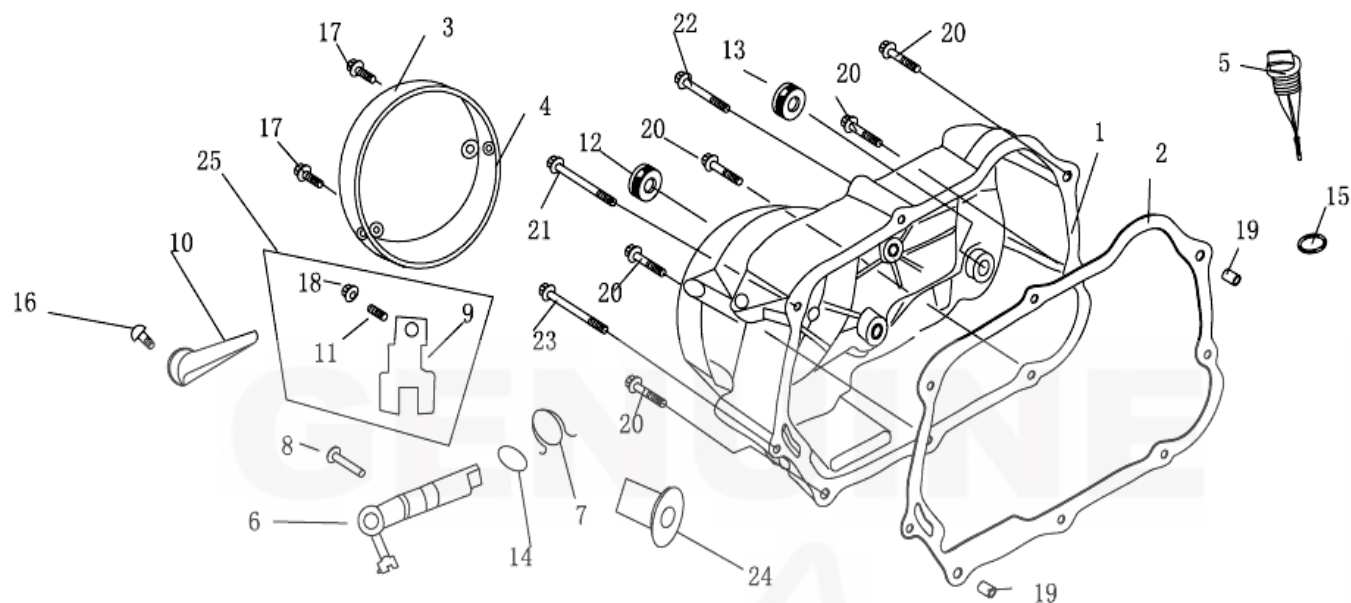
DIA.N	PART NO.	DESCRIPTION	Q'TY
E09-01	11400-ABCEF0-00B	Front Cover, Crankcase L	1
E09-02	11430-ABCEF0-00B	Rear Cover,Crankcase L	1
E09-03	11495-ABCEF0-000	Gasket, L Crankcase Front Cover	1
E09-04	31110-ABCEF0-000	Flywheel Comp.	1
E09-05	11445-ABCEF0-000	Cover,Top View Hole M14	1
E09-06	11446-ABCEF0-000	Cover, View HoleM30	1
E09-07	90411-08014-000	Pin, Dowel 92401-08014	2
E09-08	90701-27002-000	O Ring,View Hole Cover ϕ 27* ϕ 2	1
E09-09	90701-13002-000	Gasket,O Ring View Hole Cover ϕ 13.8* ϕ 2.5	1
E09-10	31120-ABCEF0-000	Stator Comp, Generator	1
E09-11	GB/5787-06025-L	Bolt, Hex-Flange M6*25	1
E09-12	GB/5787-06032-L	Bolt, Hex-Flange M6*32	4
E09-13	GB/5787-06050-L	Bolt, Hex-Flange M6*50	1
E09-14	11421-ABCEF0-000	Cable Clip,Starting Motor	1
E09-15	GB/818-05016-L	Bolt, Cross M5*16	2
E09-16	GB/5787-06020-L	Bolt, Hex-Flange M6*20	2
E09-17	GB/T41-86-M10-C	Nut, Hex- Head M10*1.25	1
E09-18	31116-ABCEF0-000	Plate,Pressing Wire	1
E09-19	31117-ABCEF0-000	Fixture Board	1
E09-20	GB/5787-06012-L	Bolt, Hex-Flange M6*12	1
E09-21	GB/818-05005-L	Bolt, Cross M5*5	1
E09-22	12204-E00000-000	Display	1
E09-23	12205-E00000-000	Press Plate	1
E09-24	GB/5787-06012-L	Nut, Hex- Head M6*12	1

E10- COVER, STARTING CLUTCH



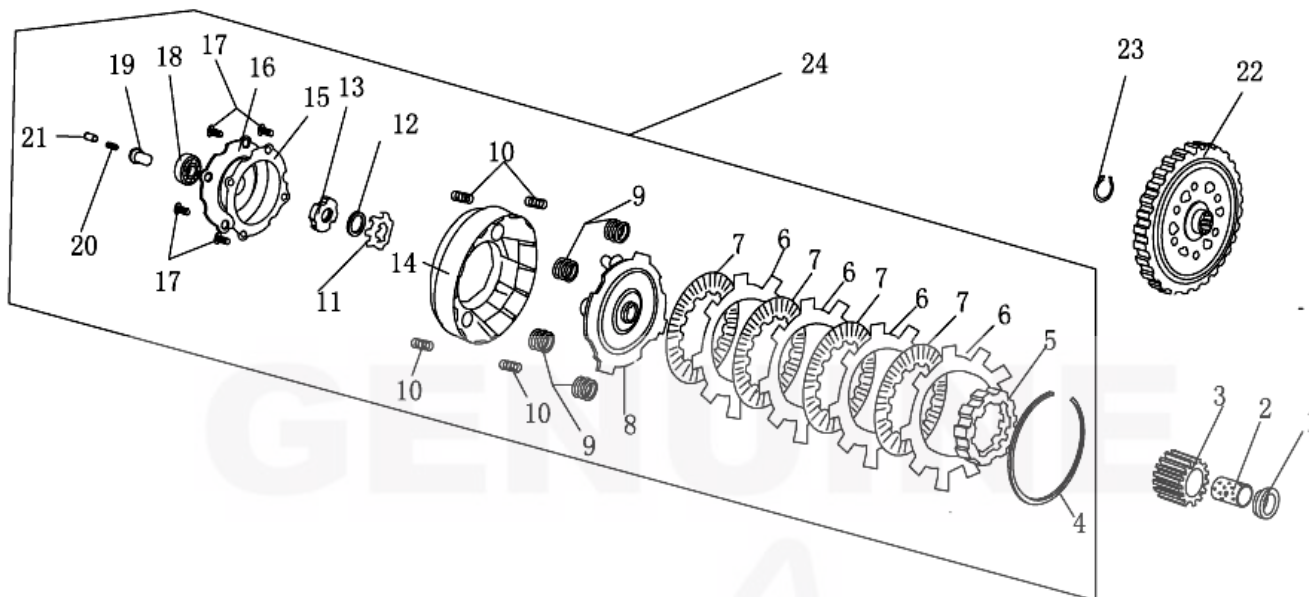
DIA.N	PART NO.	DESCRIPTION	Q'TY
E10-01	31210-ABCEF0-000	Start Chain 64S	1
E10-02	28132-CE0000-000	Guide Plate, Start Chain	1
E10-03	28134-CE0000-000	Tension Guide, Start Chain	1
E10-04	28121-ABCEF0-000	Chain Set41T, Start Chain	1
E10-05	23802-ABCEF0-000	Pressure Plate, Start Sprocket	1
E10-06	28128-ABCEF0-000	Body,Single Orientation	1
E10-07	28122-ABCEF0-000	Spring, Roller	3
E10-08	28135-ABCEF0-000	Cover,Roller Spring	3
E10-09	28125-ABCEF0-000	Gasket,Single Orientation	1
E10-10	28131-ABCEF0-000	Outer Cover,Single Orientation	1
E10-11	GB/5787-06025-L	Bolt, Hex-Flange M6*25	3
E10-12	28123-ABCEF0-000	Roller	3
E10-13	90411-06025-000	Pin, Dowel 92140-06025B	1
E10-14	90801-3042-004	Oil Seal 30*42*4.5	1
E10-15	90801-190030-005	Oil Seal , Drive Sprocket Wheel 18.9*30*5	1
E10-16	90701-ABCDEF-000	O Ring ϕ 107* ϕ 2	1
E10-17	GB/70-06012-B	Bolt, Cylinder Hex-Head M6*12	3
E10-18	GB/5787-06012-L	Bolt, Hex-Flange M6*12	1
E10-19	11251-ABCEF0-00B	Cover	1
E10-20	GB/5787-06035-L	Bolt, Hex-Flange M6*35	1
E10-21	GB/5787-06105-L	Bolt, Hex-Flange M6*105	1
E10-22	28120-ABCEF0-000	Single Orientation Assy	1
E10-23	90411-08014-000	Pin, Dowel 92401-08014	1
E10-24	90701-08002-000	Seal Washer ϕ 8* ϕ 2.5	1
E10-25	28105-ABCEF0-000	Washer ϕ 6	1

E11- RIGHT CRANKCASE COVER



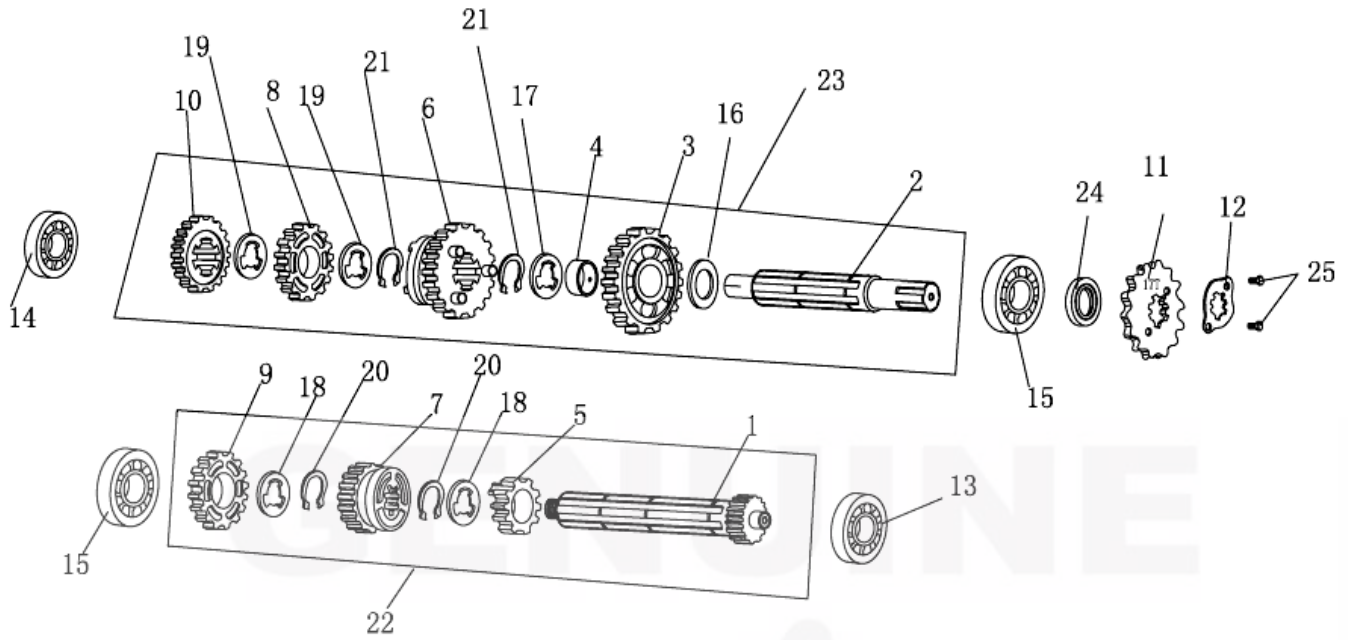
DIA.N	PART NO.	DESCRIPTION	Q'TY
E11-01	11333-E00000-00B	Crankcase Cover, R.	1
E11-02	11393-F00000-000	Gasket, R. Crankcase Cover	1
E11-03	11356-E00000-000	Cover Tappet, Clutch	1
E11-04	11357-E00000-000	Gasket, Clutch Cover	1
E11-05	15155-E00000-000	Gauge, Oil Level	1
E11-06	21421-BCE000-000	Camshaft Assy, Clutch	1
E11-07	21416-BCE000-000	Return Spring, Clutch Camshaft	1
E11-08	21411-BCE000-000	Pin,Clutch CamShaft	1
E11-09	21448-BCE000-000	Spreader Plate, Clutch	1
E11-10	21449-BCE000-000	Press Plate, Clutch	1
E11-11	21447-BCE000-000	Adjusting Screw	1
E11-12	90801-11021-005	Oil Seal 11*21*4	1
E11-13	90801-13024-005	Oil Seal, Start Axle 13.8*24*5	1
E11-14	90701-14001-000	O Ring ϕ 14* ϕ 1.5	1
E11-15	90701-18003-000	O Ring ϕ 18* ϕ 3.6	1
E11-16	GB/818-06016-T	Bolt, Cross M6*16	1
E11-17	GB/5787-06014-L	Bolt, Hex-Flange M6*14	2
E11-18	GB/41-M8-L	Nut, Hex- Head M8	1
E11-19	90411-08012-000	Pin, Dowel 92401-08012	2
E11-20	GB/5787-06040-L	Bolt, Hex-Flange M6*40	5
E11-21	GB/5787-06100-L	Bolt, Hex-Flange M6*100	1
E11-22	GB/5787-06065-L	Bolt, Hex-Flange M6*65	1
E11-23	GB/5787-06055-L	Bolt, Hex-Flange M6*55	1
E11-24	21451-BCE000-000	Push Rod, Clutch	1
E11-25	21452-BCE000-000	Ring Set ,Clutch	1

E12- CLUTCH



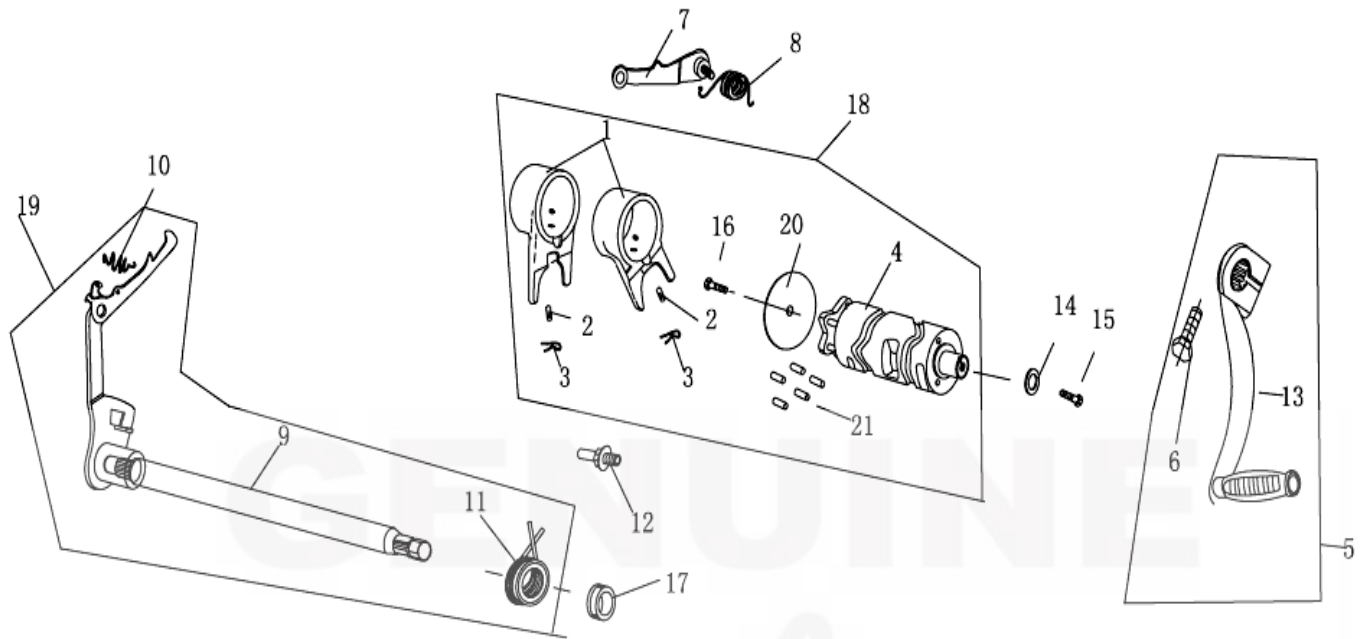
DIA.N	PART NO.	DESCRIPTION	Q'TY
E12-01	21116-E00000-000	Bush ϕ 17* ϕ 26*4.6	1
E12-02	21117-ABCE00-000	Bush ϕ 17* ϕ 21*20.5	1
E12-03	21227-E00000-000	Drive Gear 18T	1
E12-04	21115-ABCE00-000	Circlip ϕ 104	1
E12-05	22210-E00000-000	Outer Cover, Drive Gear18T	1
E12-06	21217-E00000-000	Driven Friction Plate, Clutch	4
E12-07	21224-E00000-000	Drive Friction Plate, Clutch	4
E12-08	21221-E00000-000	Drive Disc	1
E12-09	21225-E00000-000	Spring	4
E12-10	21223-E00000-000	Spring, Clutch	4
E12-11	21308-ABCE00-000	Thrust Washer	1
E12-12	90315-ABCDE0-000	Washer ϕ 14* ϕ 24*1.2	1
E12-13	90209-14001-000	Nut, Lock M14*1	1
E12-14	21111-E00000-000	Outer Cover, Clutch	1
E12-15	21103-CE0000-000	Gasket, Clutch Head Cover	1
E12-16	21102-CE0000-000	Clutch Head Cover	1
E12-17	GB/820-05012-B	Bolt, Cross M5*12	4
E12-18	GB/T276-94-6000	Bearing 6000	1
E12-19	21237-CE0000-000	Oil Tube	1
E12-20	21234-ABCE00-000	Spring, Oil Tube	1
E12-21	21235-ABCE00-000	Oil Tube	1
E12-22	22226-E00000-000	Driven Gear69T	1
E12-23	28106-ABCE00-000	Circlip ϕ 16	1
E12-24	21000-E00000-000	Clutch Assy.	1

E13- TRANSMISSION



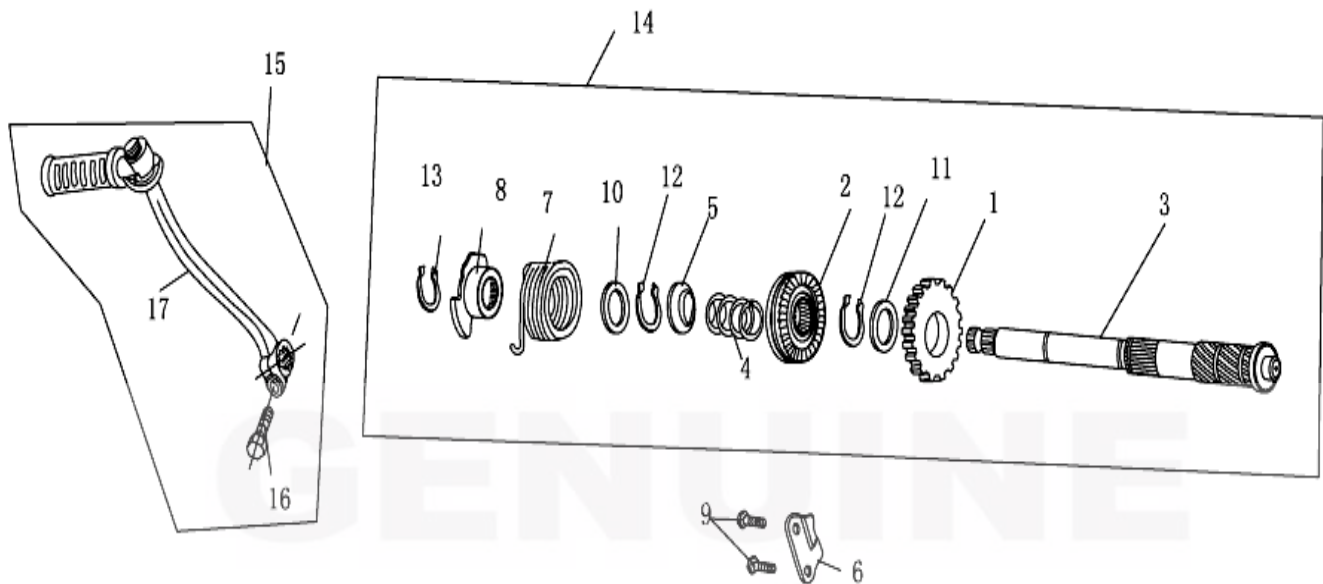
DIA.N	PART NO.	DESCRIPTION	Q'TY
E13-01	24110-E00000-000	Mainshaft, Transmission	1
E13-02	24210-E00000-000	Countershaft, Transmission	1
E13-03	23611-ABCDE0-000	Gear, Countershaft 1st 36T	1
E13-04	23614-ABCDE0-000	Gear Sheath	1
E13-05	23509-ABCDE0-000	Gear, Mainshaft 2nd 16T	1
E13-06	23603-ABCDE0-000	Gear, Countershaft 2nd 31T	1
E13-07	23504-ABCDE0-000	Gear, Mainshaft 3rd 17T	1
E13-08	23608-ABCDE0-000	Gear, Countershaft 3rd 23T	1
E13-09	23505-ABCDE0-000	Gear, Mainshaft 4th 20T	1
E13-10	23605-ABCDE0-000	Gear, Countershaft 4th 21T	1
E13-11	41205-ABCDE0-000	Sprocket Wheel, Drive 17T	1
E13-12	23681-ABCDEF-000	Plate, Drive Sprocket	1
E13-13	GB/T276-94-6001	Bearing 6001	1
E13-14	GB/T276-94-6201	Bearing 6201	1
E13-15	GB/T276-94-6203	Bearing 6203	2
E13-16	23609-ABCDE0-000	Washer, Thrust ϕ 12	1
E13-17	23606-ABCDE0-001	Washer 1, Lock ϕ 23	1
E13-18	23507-ABCDE0-000	Washer, Lock ϕ 20.8	1
E13-19	23606-ABCDE0-002	Washer 2, Lock ϕ 20.8	2
E13-20	23506-ABCDE0-000	Circlip ϕ 15.5	2
E13-21	23610-ABCDE0-000	Circlip ϕ 15.5	2
E13-22	24100-E00000-000	Mainshaft, Assy.	1
E13-23	24200-E00000-000	Countershaft, Assy.	1
E13-24	90801-1729-005	Oil Seal, Countershaft 17*29*5	1
E13-25	GB/5783-06008-L	Bolt, Hex-Head M6*8	2

E14- GEARSHIFT MECHANISM



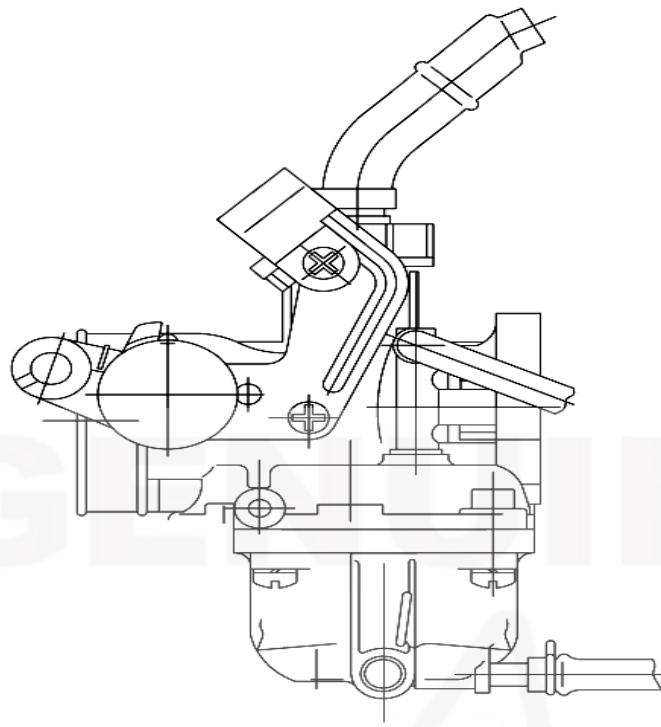
DIA.N	PART NO.	DESCRIPTION	Q'TY
E14-01	23740-ABCDE0-000	Fork, Gearshift	2
E14-02	23742-ABCDE0-000	Pin, Gearshift Fork Guide	2
E14-03	23748-ABCDE0-000	Clip, Gearshift Fork Guide Pin	2
E14-04	23701-ABCDE0-000	Drum, Gearshift	1
E14-05	FA000100	Gearshift Pole Assy.	1
E14-06	GB/5783-06020-L	Bolt, Hex-Head M6*20	1
E14-07	23730-ABCDE0-000	Spindle Comp, Gearshift Drum	1
E14-08	23731-ABCDE0-000	Spring, Shift Drum Stopper	1
E14-09	23712-BCDE00-000	Arm Comp., Gearshift	1
E14-10	23722-BCDE00-000	Spring, Shaft Shift	1
E14-11	23716-BCDE00-000	Spring, Shaft Shift Return	1
E14-12	23723-ABCDE0-000	Pivot, Shift Fixture	1
E14-13	FA000101	Gearshift Pole	1
E14-14	23718-ABCDE0-000	Washer ϕ 6	1
E14-15	GB/5783-06016-L	Bolt, Hex-Head M6*16	1
E14-16	GB/818-06020-L	Bolt, Cross M6*20	1
E14-17	90801-11024-010	Oil Seal, Shaft Shift 11.6*24*10	1
E14-18	23701-ABCDE0-00A	Drum, Gearshift Comp.	1
E14-19	23700-BCDE00-000	Shaft Shift Assy.	1
E14-20	23719-ABCDE0-000	Fixture Board	1
E14-21	23746-ABCDE0-000	Pin, Fixture Board ϕ 4*13	5

E15- KICK STARTING MECHANISM



DIA.N	PART NO.	DESCRIPTION	Q'TY
E15-01	28114-ABCE00-000	Gear, Kick Start Drive	1
E15-02	28119-ABCE00-000	Ratchet Wheel, Starter	1
E15-03	28112-ABCE00-000	Shaft, Kick Start	1
E15-04	28167-ABCE00-000	Spring, Ratchet Wheel	1
E15-05	28149-ABCE00-000	Seat, Ratchet Wheel Spring	1
E15-06	28164-ABCDE0-000	Guide Plate, Ratchet Wheel	1
E15-07	28116-ABCE00-000	Return Spring, Kick Start Shaft	1
E15-08	28115-ABCE00-000	Return Spring Seat, Kick Start Shaft	1
E15-09	GB/5783-06020-L	Bolt, Hex-Head M6*20	2
E15-10	28103-ABCE00-000	Washer ϕ 17	1
E15-11	28113-ABCE00-000	Washer ϕ 20	1
E15-12	28109-ABCE00-000	Washer ϕ 18	2
E15-13	28106-ABCE00-000	Washer ϕ 16	1
E15-14	28100-ABCE00-000	Kick Axle Comp.	1
E15-15	FA000200	Kick Starter	1
E15-16	GB/5783-06020-L	Bolt, Hex-Head M6*20	1
E15-17	FA000201	Pole, Starter	1

E16- CARBURETOR



DIA.N	PART NO.	DESCRIPTION	Q'TY
E16-01	13200-85100	Carburetor Assy.	1

