



ENGINE PARTS CATALOG 50CC

V. 2005. Nov.

CONTENTS

F01- Cylinder Head

F02- Cylinder

F03- Camshaft/Valve

F04- Cam Chain Tensioner

F05- Crankcase

F06- Crankshaft/Piston

F07- Starting Motor

F08- Left Crankcase Cover/Generator

F09- Cover, Starting Clutch

F10- Right Crankcase cover

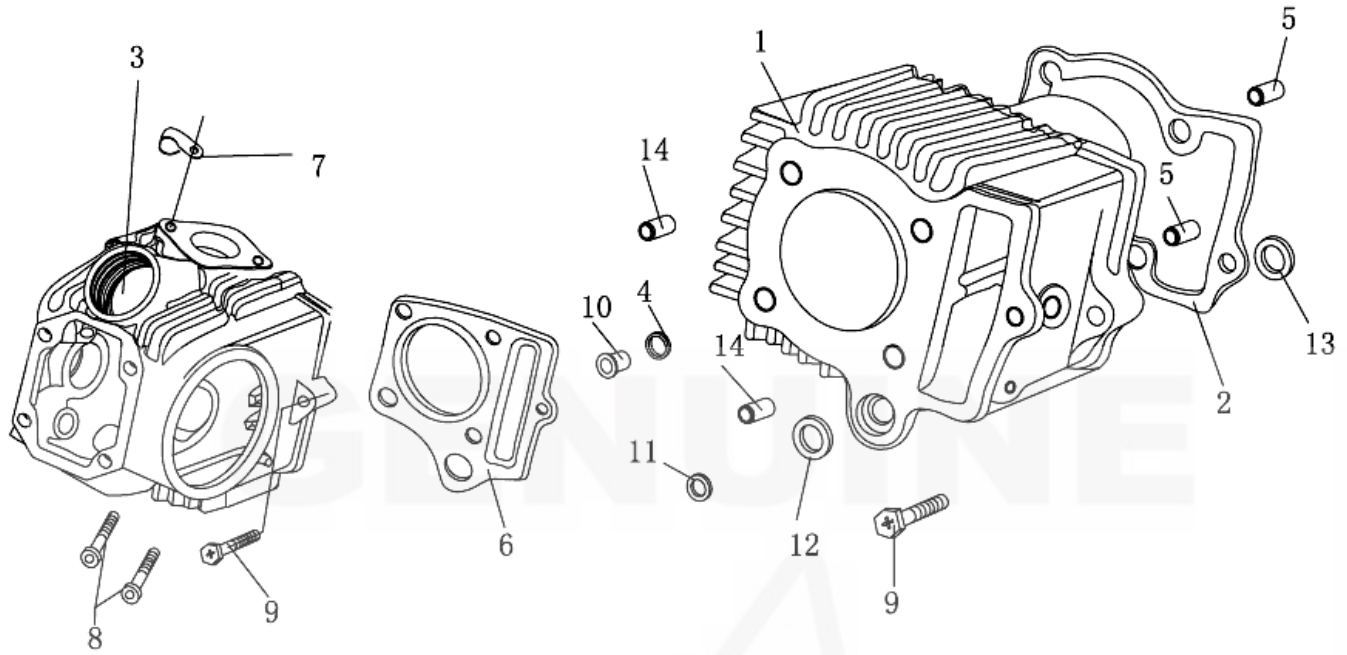
F11- Clutch

F12- Transmission

F13- Kick Starting Mechanism

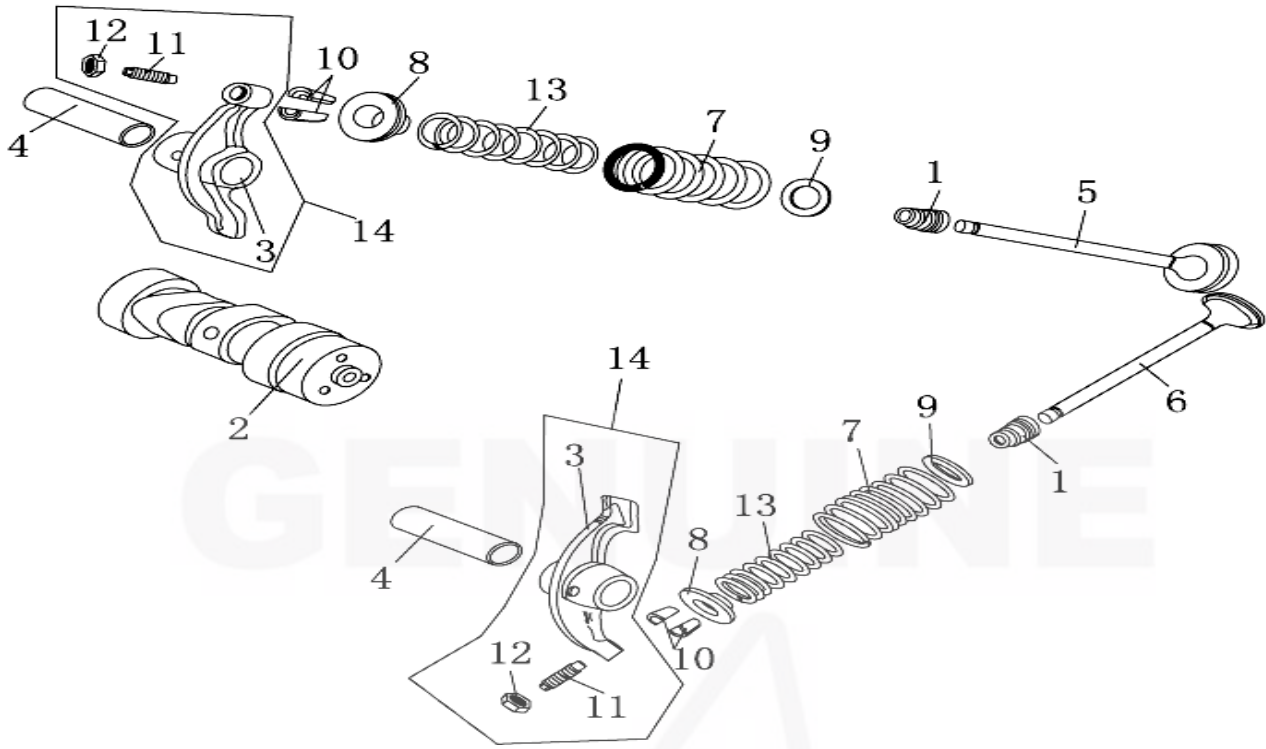
F14- Carburetor

F02- CYLINDER



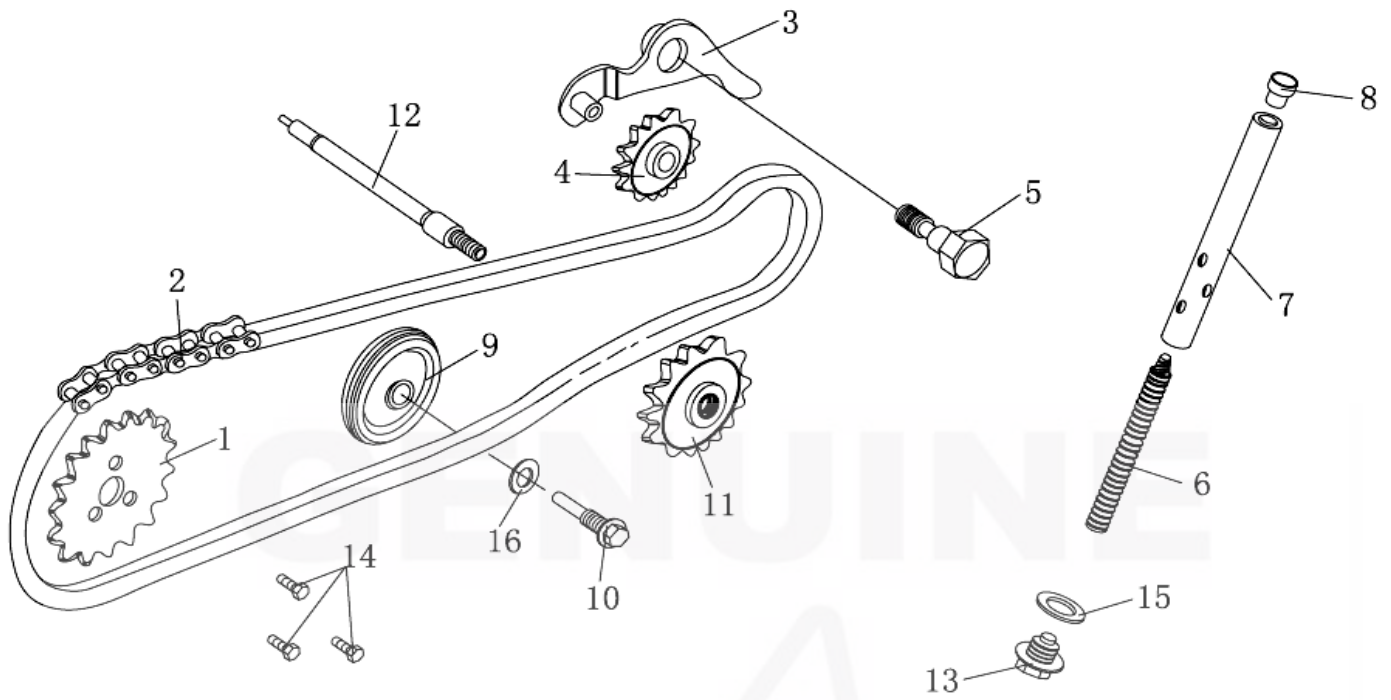
DIA.N	PART NO.	DESCRIPTION	Q'TY
F02-01	12000-F00000-000	Cylinder	1
F02-02	12191-F00000-000	Gasket, Cylinder	1
F02-03	12220-F00000-000	Cylinder Head	1
F02-04	12395-ABCDEF-000	Seal Washer ϕ 8* ϕ 2	1
F02-05	90411-08012-000	Pin, Dowel 92401-08012	2
F02-06	12391-F00000-000	Gasket, Cylinder Head	1
F02-07	90563-ABCDEF-000	Clip, Hi-Pot Cable	1
F02-08	GB/70-06020-N	Bolt, Cylinder Hex- Head M6*20	2
F02-09	GB/19.2-06020-L	Bolt, Hex- Head Cross M6*20	2
F02-10	90414-ABCDEF-000	Bush 20134	1
F02-11	90128-ABCDEF-000	Bush 20128	1
F02-12	12393-ABCDEF-00A	Seal Ring A ϕ 15* ϕ 19*2.4	1
F02-13	12393-ABCDEF-00B	Seal Ring B ϕ 11.5* ϕ 16*2.5	1
F02-14	90411-08014-000	Pin, Dowel 92401-08014	2

F03- CAMSHAFT/VALVE



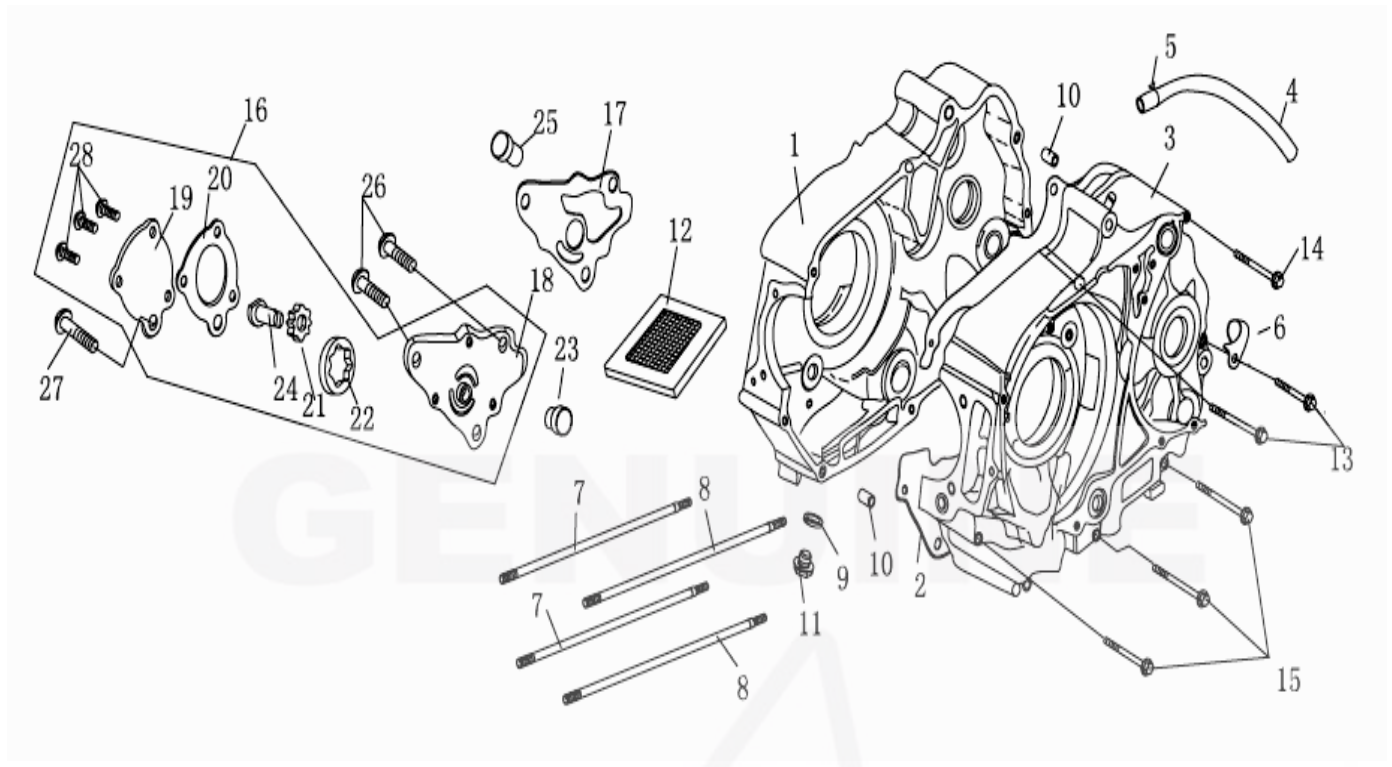
DIA.N	PART NO.	DESCRIPTION	Q'TY
F03-01	14790-ABCDEF-000	Oil Seal, Valve	2
F03-02	14100-ABCDEF-000	Camshaft, Comp.	1
F03-03	20111-ABCDEF-000	Valve Rocker Arm	2
F03-04	14450-ABCDEF-000	Shaft,Valve Rocker On	2
F03-05	14711-F00000-000	Valve In	1
F03-06	14721-F00000-000	Valve Out	1
F03-07	14751-ABCF00-000	Spring, Valve Outer	2
F03-08	14771-ABCF00-000	Retainer, Valve Outer	2
F03-09	14775-ABCF00-000	Seat, Valve Spring Outer	2
F03-10	14781-ABCF00-000	Cotter, Valve	4
F03-11	14436-ABCDEF-000	Screw, Tappet Adjusting	2
F03-12	14437-ABCDEF-000	Nut, Tappet Adjusting	2
F03-13	14752-ABCF00-000	Spring, Valve Inner	2
F03-14	14430-ABCDEF-000	Valve Rocker Arm Comp.	2

F04- CAM CHAIN TENSIONER



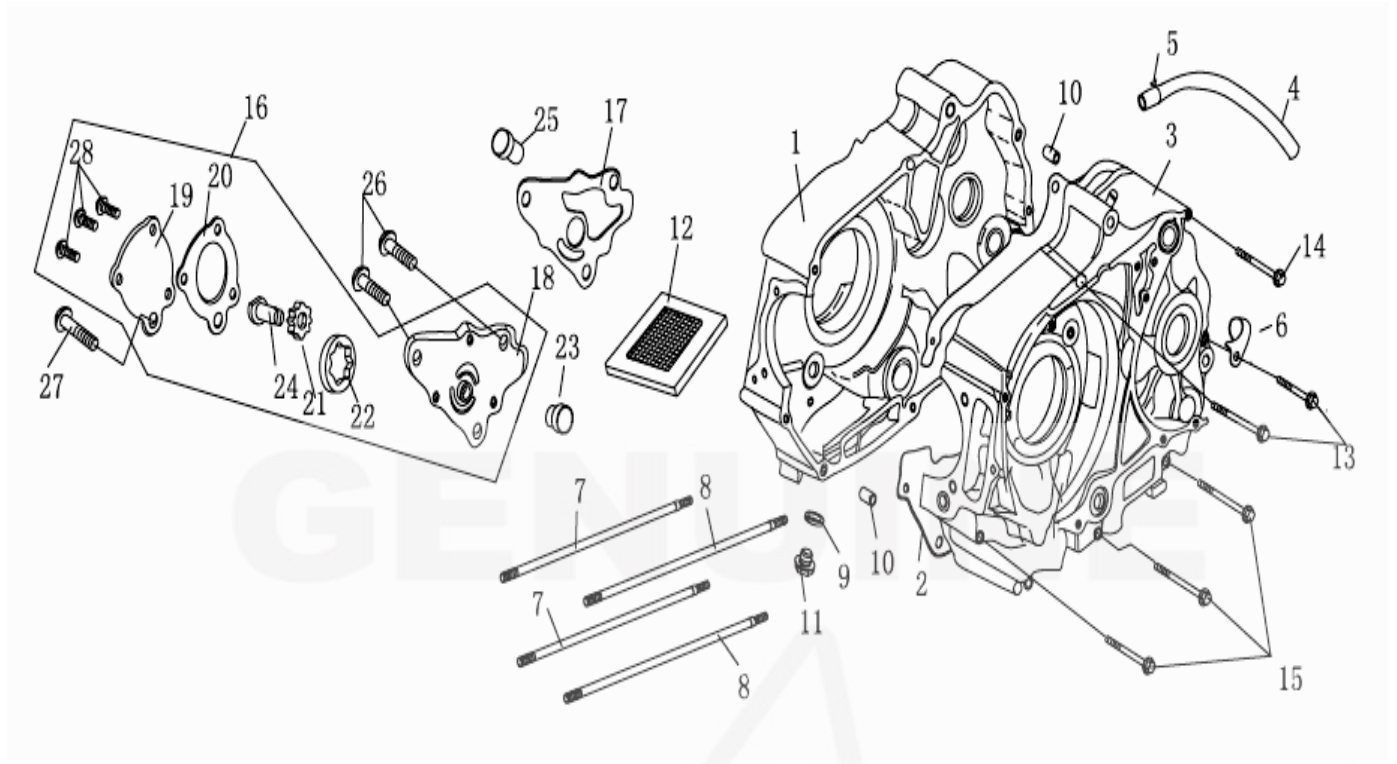
DIA.N	PART NO.	DESCRIPTION	Q'TY
F04-01	14109-F00000-000	Sprocket , Cam	1
F04-02	14440-F00000-000	Chain , Cam	1
F04-03	14530-ABCDEF-000	Arm, Cam Chain Tensioner	1
F04-04	14541-ABCDEF-000	Roller, Cam Chain Tensioner	1
F04-05	14542-ABCDEF-000	Pivot, Cam Chain Tensioner	1
F04-06	14543-ABCDEF-000	Spring, Cam Chain Tensioner	1
F04-07	14510-ABCDEF-000	Rod, Cam Chain Tensioner	1
F04-08	14512-ABCDEF-000	End, Cam Chain Tensioner Rod	1
F04-09	14560-F00000-000	Roller, Cam Chain Guide	1
F04-10	14561-ABF0000-000	Pin, Cam Chain Guide Roller	1
F04-11	15133-ABF0000-000	Sprocket Wheel 25T, Oil Pump	1
F04-12	15114-ABF0000-000	Shaft, Oil Pump Sprocket Wheel	1
F04-13	90111-12014-00L	Bolt, Sealing Chain Tensioner M14*1.5	1
F04-14	GB/5783-05012-B	Bolt, Hex-Head M5*12	3
F04-15	90301-14-00B	Washer φ 14	1
F04-16	90301-8-00B	Washer φ 8	1

F05- CRANKCASE



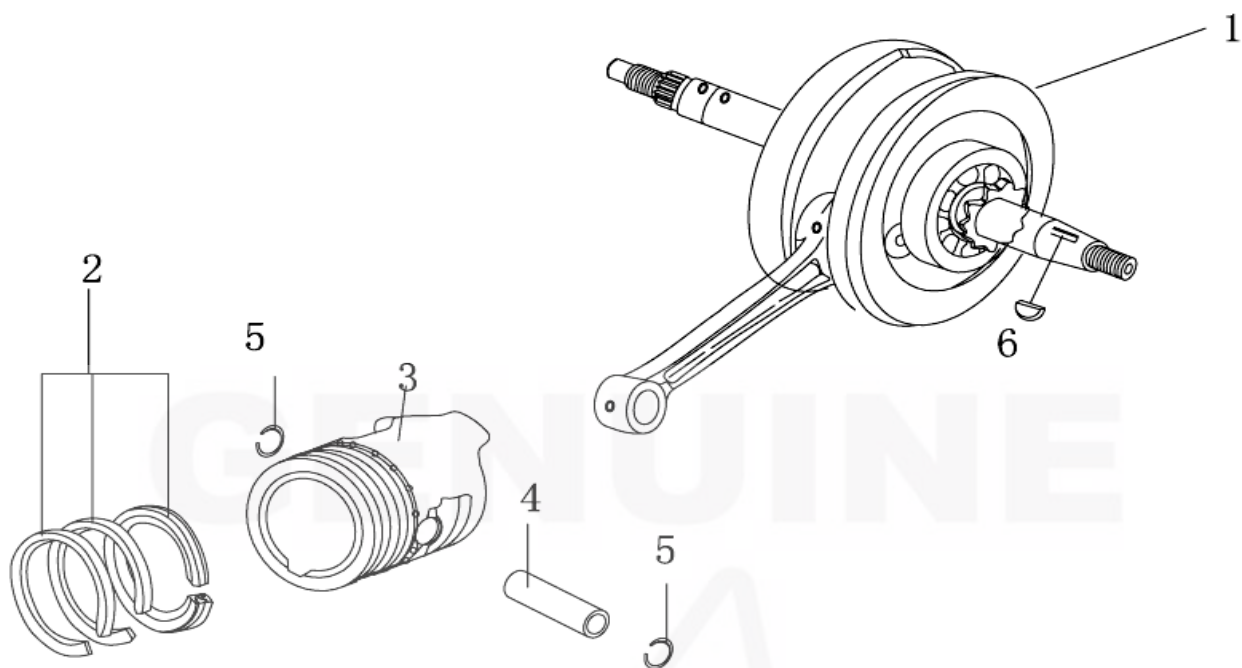
DIA.N	PART NO.	DESCRIPTION	Q'TY
F05-01	11100-F00000-00B	Crankcase R.	1
F05-02	11191-ABF000-000	Gasket, Crankcase	1
F05-03	11210-F00000-00B	Crankcase L.	1
F05-04	11211-F00000-000	Tube, Breather	1
F05-05	11421-F00000-000	Clip, Tube	1
F05-06	11212-F00000-000	Clip, Breather Tube	1
F05-07	GB/899-06193-C	Bolt A193, Cylinder Stud	2
F05-08	GB/899-06203-C	Bolt B203, Cylinder Stud	2
F05-09	96301-12-000	Aluminium Washer ϕ 12	1
F05-10	90411-10014-000	Pin, Dowel 92401-08014	2
F05-11	90115-12015-00L	Bolt, Drain Plug M12*1.5	1
F05-12	15160-ABCDEF-000	Screen, Oil Filter	1
F05-13	GB/5787-06060-L	Bolt, Hex-Flange M6*60	2
F05-14	GB/5787-06050-L	Bolt, Hex-Flange M6*50	1
F05-15	GB/5787-06065-L	Bolt, Hex-Flange M6*65	3
F05-16	15100-F00000-000	Oil Pump Assy.	1
F05-17	15116-F00000-000	Gasket, Oil Pump	1
F05-18	15110-F00000-000	Body, Oil Pump	1

F05- CRANKCASE



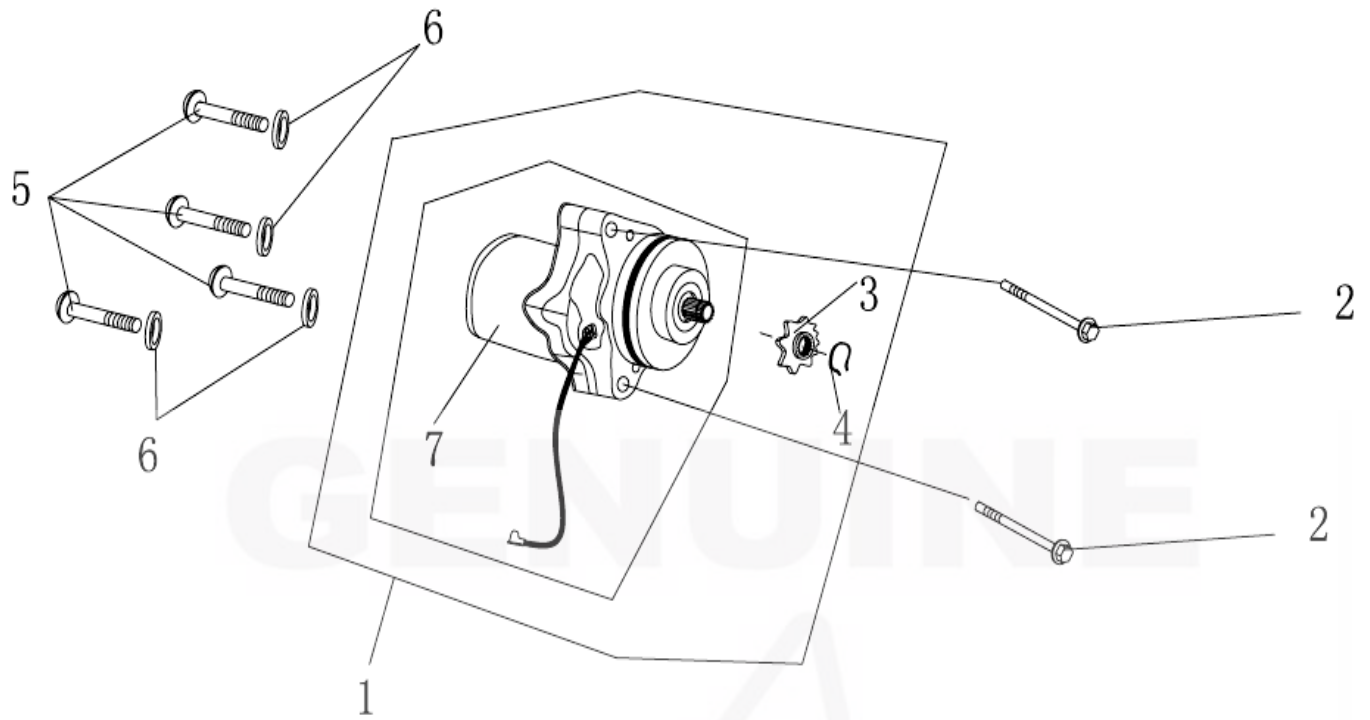
DIA.N	PART NO.	DESCRIPTION	Q'TY
F05-19	15101-F00000-000	Cover, Oil Pump	1
F05-20	15115-F00000-000	Gasket, Oil Pump Cover	1
F05-21	15107-F00000-000	Stator, Oil Pump Inner	1
F05-22	15108-F00000-000	Stator, Oil Pump Outer	1
F05-23	15111-F00000-000	Bush,Oil Pump ϕ 2.5*10	1
F05-24	15109-F00000-000	Drive Shaft, Oil Pump	1
F05-25	15112-F00000-000	Bush,Oil Pump Sprocket	1
F05-26	GB/818-06016-B	Bolt, Cross M6*16	2
F05-27	GB/818-06022-B	Bolt, Cross M6*22	1
F05-28	GB/818-05010-B	Bolt, Cross M5*10	3

F06- CRANKSHAFT/PISTON



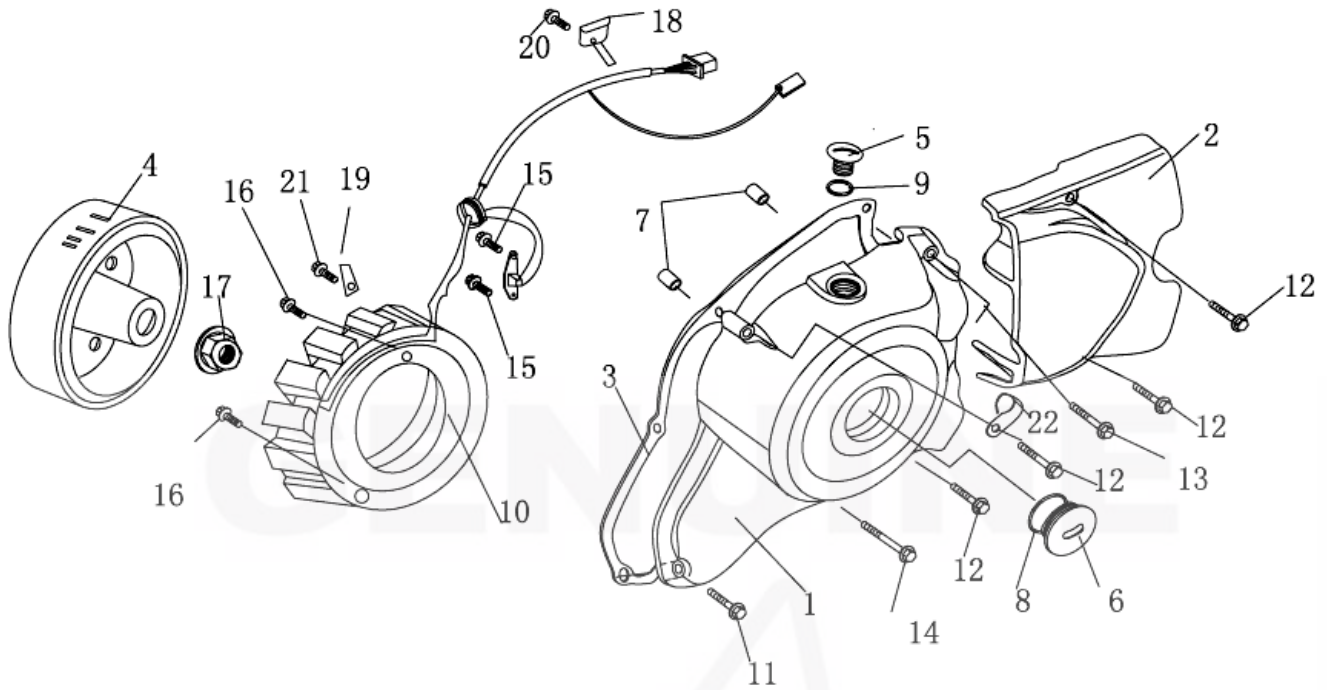
DIA.N	PART NO.	DESCRIPTION	Q'TY
F06-01	13200-F00000-000	Crankshaft Assy.	1
F06-02	13120-F00000-000	Ring Set, Piston	1
F06-03	13101-F00000-000	Piston	1
F06-04	13111-F00000-000	Pin, Piston ϕ 13*31	1
F06-05	13112-ABCDEF-000	Clip, Piston Pin	2
F06-06	13206-F00000-000	Key, Woodruff	1

F07- Starting Motor



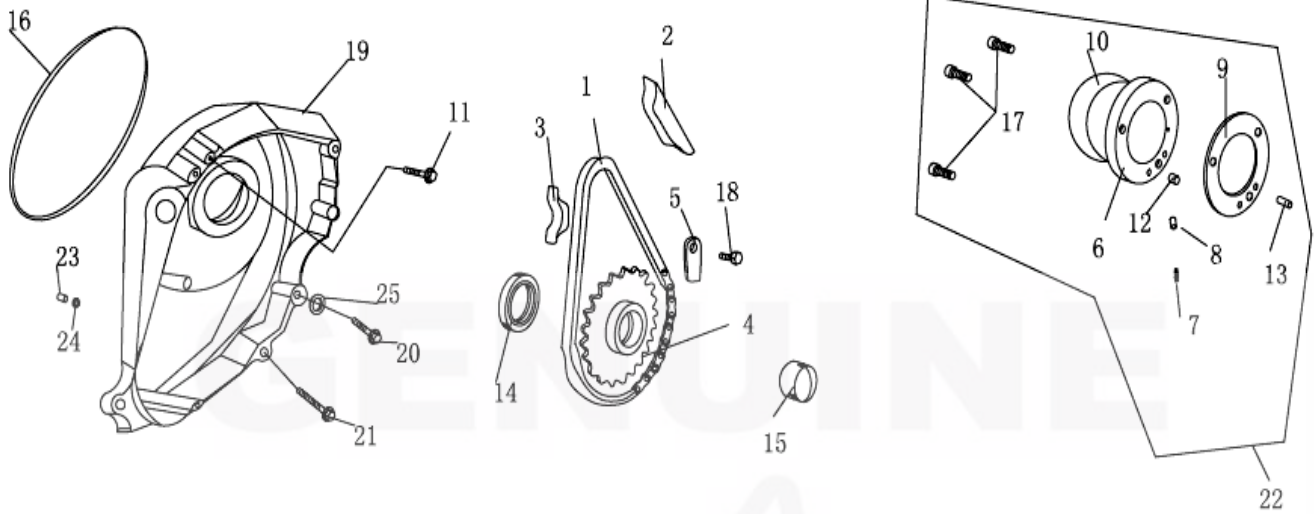
DIA.N	PART NO.	DESCRIPTION	Q'TY
F07-01	31200-ABCEF0-000	Starting Motor Assy	1
F07-02	GB/5787-06025-L	Bolt, Hex-Flange M6*25	2
F07-03	31231-ABCEF0-000	Driving Sprocket Wheel , Start Motor12T	1
F07-04	90311-ABCEF0-000	Circlip, Motor Sprocket Wheel ϕ 10.8	1
F07-05	GB/823-05030-L	Bolt, Cross M5*30	4
F07-06	90313-ABCEF0-000	Washer ϕ 5	4
F07-07	31201-ABCEF0-000	Motor Assy	1

F08- LEFT CRANKCASE COVER/GENERATOR



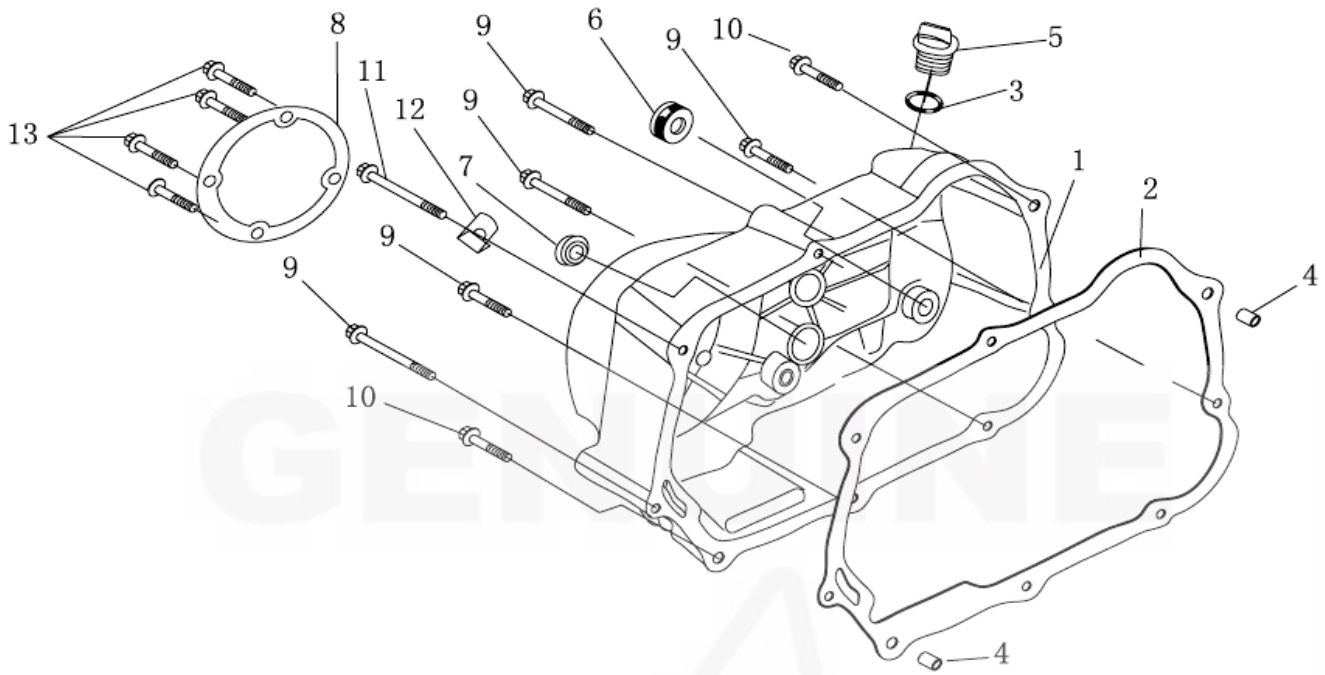
DIA.N	PART NO.	DESCRIPTION	Q'TY
F08-01	11400-ABCEF0-00B	Front Cover,Crankcase L	1
F08-02	11430-ABCEF0-00B	Rear Cover,Crankcase L	1
F08-03	11495-ABCEF0-000	Gasket, L Crankcase Front Cover	1
F08-04	31110-ABCEF0-000	Flywheel Comp.	1
F08-05	11445-ABCEF0-000	Cover,Top View Hole M14	1
F08-06	11446-ABCEF0-000	Cover, View HoleM30	1
F08-07	90411-08014-000	Pin, Dowel 92401-08014	2
F08-08	90701-27002-000	O Ring,View Hole Cover ϕ 27* ϕ 2	1
F08-09	90701-13002-000	Gasket,O Ring View Hole Cover ϕ 13.8* ϕ 2.5	1
F08-10	31120-ABCEF0-000	Stator Comp, Generator	1
F08-11	GB/5787-06025-L	Bolt, Hex-Flange M6*25	1
F08-12	GB/5787-06032-L	Bolt, Hex-Flange M6*32	4
F08-13	GB/5787-06050-L	Bolt, Hex-Flange M6*50	1
F08-14	GB/5787-06105-L	Cable Clip,Starting Motor M6*105	1
F08-15	GB/818-05016-L	Bolt, Cross M5*16	2
F08-16	GB/5787-06020-L	Bolt, Hex-Flange M6*20	2
F08-17	GB/T41-86-M10-C	Nut, Hex- Head M10*1.25	1
F08-18	31116-ABCEF0-000	Plate,Pressing Wire	1
F08-19	31117-ABCEF0-000	Fixture Board	1
F08-20	GB/5787-06012-L	Bolt, Hex-Flange M6*12	1
F08-21	GB/818-05005-L	Bolt, Cross M5*5	1
F08-22	11421-ABCEF0-000	Cable Clip,Starting Motor	1

F09- Cover, Starting Clutch



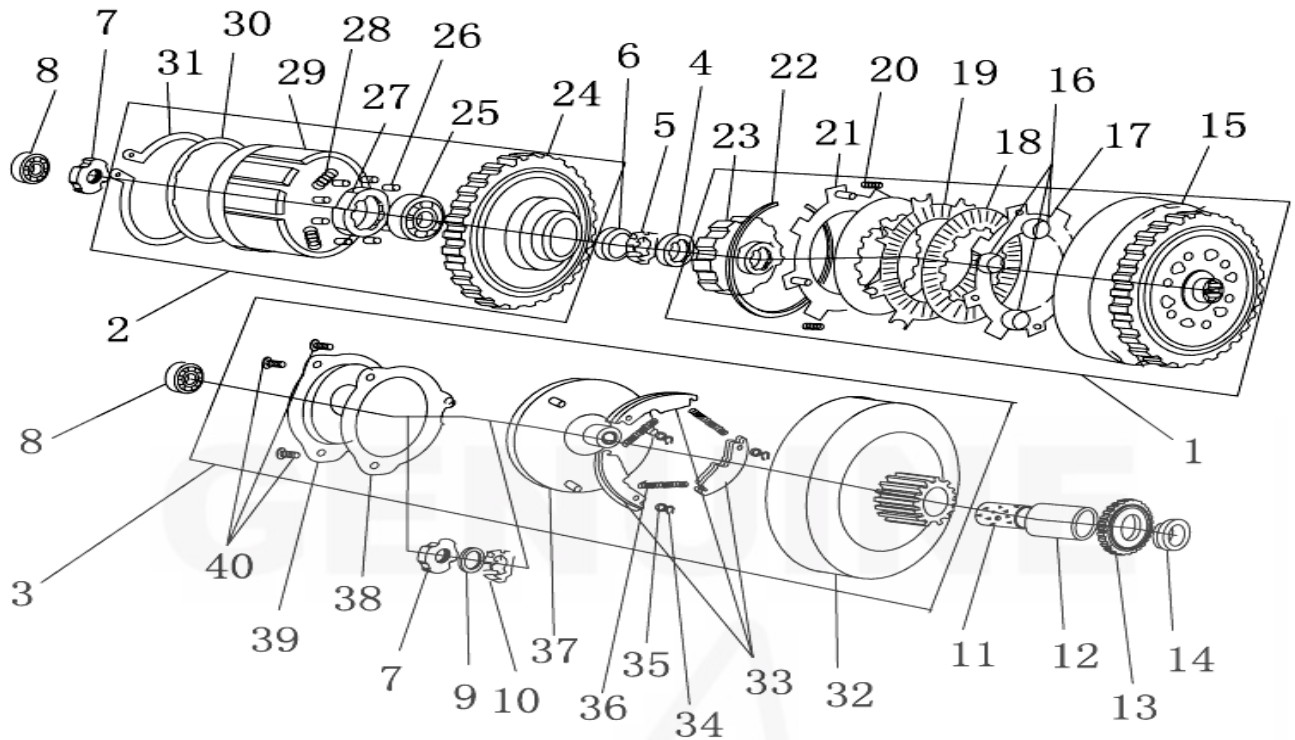
DIA.N	PART NO.	DESCRIPTION	Q'TY
F09-01	31210-ABCEF0-000	Start Chain 64S	1
F09-02	28132-ABF000-000	Guide Plate, Start Chain	1
F09-03	28134-ABF000-000	Tension Guide, Start Chain	1
F09-04	28121-ABCEF0-000	Chain Set 41T, Start Chain	1
F09-05	23802-ABCEF0-000	Pressure Plate, Start Sprocket	1
F09-06	28128-ABCEF0-000	Body,Single Orientation	1
F09-07	28122-ABCEF0-000	Spring, Roller	3
F09-08	28135-ABCEF0-000	Cover,Roller Spring	3
F09-09	28125-ABCEF0-000	Gasket,Single Orientation	1
F09-10	28131-ABCEF0-000	Outer Cover,Single Orientation	1
F09-11	GB/5787-06025-L	Bolt, Hex-Flange M6*25	3
F09-12	28123-ABCEF0-000	Roller	3
F09-13	90411-06025-000	Pin, Dowel 92140-06025B	1
F09-14	90801-3042-004	Oil Seal 30*42*4.5	1
F09-15	90801-190030-005	Oil Seal , Drive Sprocket Wheel 18.9*30*5	1
F09-16	90701-ABCDEF-000	O Ring ϕ 107* ϕ 2	1
F09-17	GB/70-06012-B	Bolt, Cylinder Hex-Head M6*12	3
F09-18	GB/5787-06012-L	Bolt, Hex-Flange M6*12	1
F09-19	11251-ABCEF0-00B	Cover	1
F09-20	GB/5787-06035-L	Bolt, Hex-Flange M6*35	1
F09-21	GB/5787-06105-L	Bolt, Hex-Flange M6*105	1
F09-22	28120-ABCEF0-000	Single Orientation Assy	1
F09-23	90411-08014-000	Pin, Dowel 92401-08014	1
F09-24	90701-08002-000	Seal Washer ϕ 8* ϕ 2.5	1
F09-25	28105-ABCEF0-000	Washer ϕ 6	1

F10- RIGHT CRANKCASE COVER



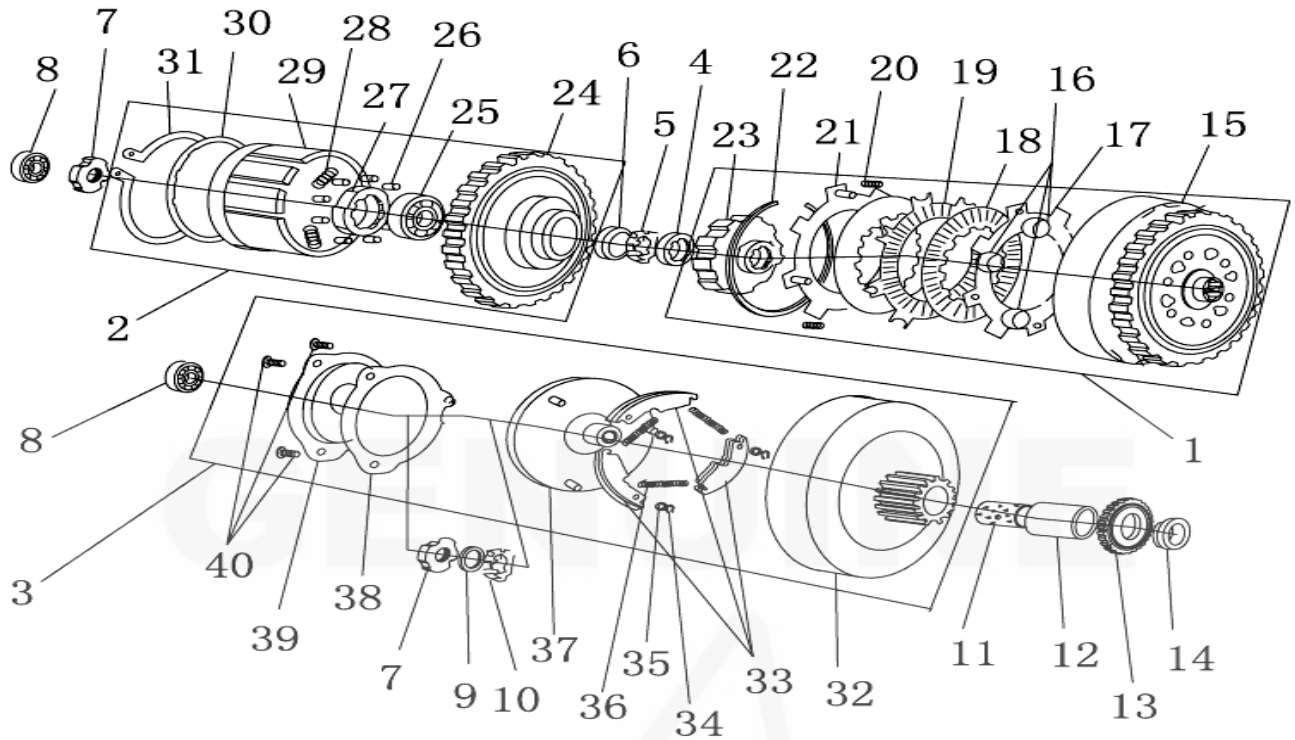
DIA.N	PART NO.	DESCRIPTION	Q'TY
F10-01	11300-F00000-00B	Crankcase Cover, R.	1
F10-02	11393-F00000-000	Gasket, R. Crankcase Cover	1
F10-03	90701-18003-000	O Ring ϕ 18* ϕ 3.6	1
F10-04	90411-08012-000	Pin, Dowel 92401-08012	2
F10-05	15156-F00000-000	Oil Plug	1
F10-06	90801-13024-005	Oil Seal, Kick Starting Mechanism	1
F10-07	11301-F00000-000	Oil View Window	1
F10-08	11302-F00000-000	Right Cover	1
F10-09	GB/5787-06050-L	Bolt, Hex-Flange M6*50	5
F10-10	GB/5787-06055-L	Bolt, Hex-Flange M6*55	2
F10-11	GB/5787-06095-L	Bolt, Hex-Flange M6*95	1
F10-12	11213-F00000-000	Clip, Breather Tube	1
F10-13	GB/5787-06012-L	Bolt, Hex-Flange M6*12	4

F11- CLUTCH



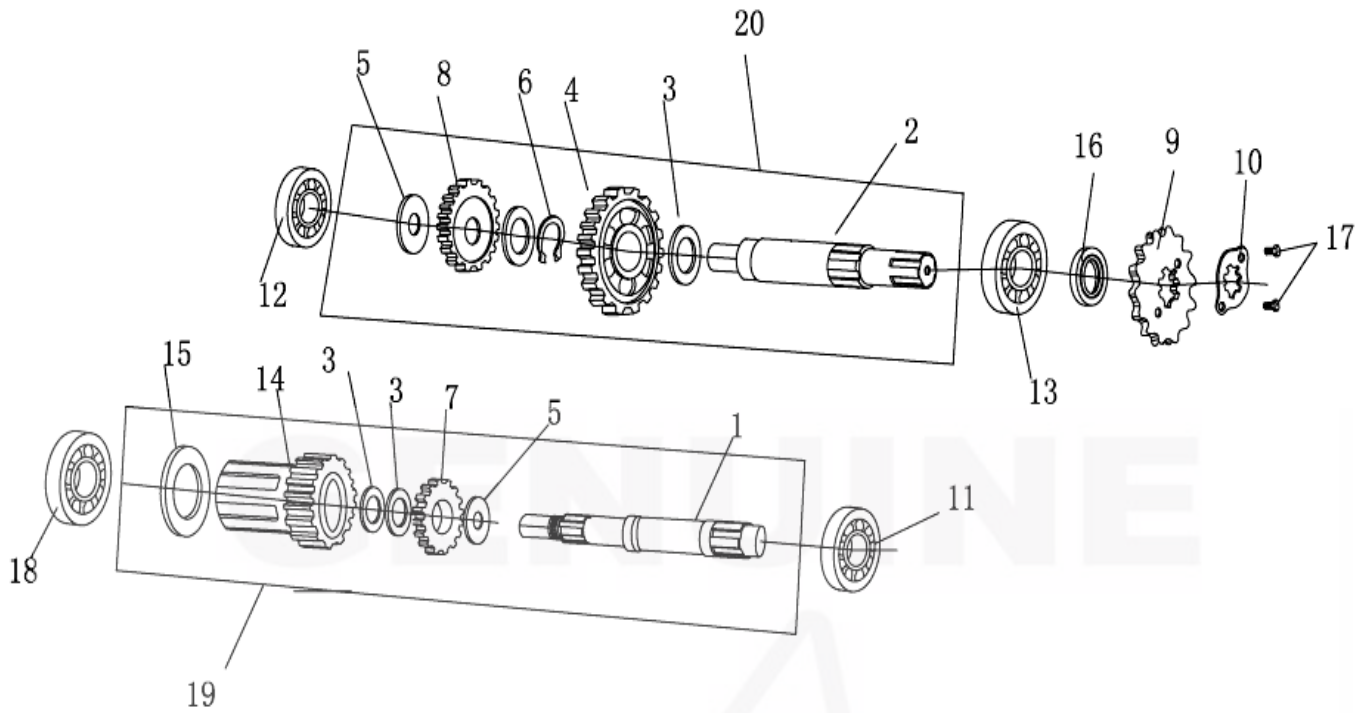
DIA.N	PART NO.	DESCRIPTION	Q'TY
F11-01	20000-F00000-000	Clutch Assy.	1
F11-02	21000-F00000-000	Starting Unilateral Assy.	1
F11-03	21100-F00000-000	Centrifugal Clutch Assy.	1
F11-04	21148-F00000-000	Washer	1
F11-05	21309-F00000-000	Holding Rolling Lock Plate	1
F11-06	90301-F00000-000	Washer	1
F11-07	90209-14001-000	Nut (M14*1)	2
F11-08	GB/T276-94-16001	Bearing 16001	1
F11-09	90315-ABCDEF-000	Washer ϕ 14* ϕ 24*1.2	1
F11-10	21308-F00000-000	Thrust Washer	1
F11-11	21117-ABCF00-000	Bush ϕ 17* ϕ 21*20.5	1
F11-12	21117-F00000-00A	Ring A(ϕ 17* ϕ 25*35.6)	4
F11-13	21227-F00000-000	Drive Gear 23T	1
F11-14	21117-F00000-00B	Ring B(ϕ 17* ϕ 29*6)	1
F11-15	21111-F00000-000	Outer Cover, Clutch	1
F11-16	21121-F00000-000	Centrifugal Ball Bearing ϕ 15	6
F11-17	21217-F00000-00C	Driven Friction Plate C, Clutch	1
F11-18	21217-F00000-000	Drive Friction Plate, Clutch	5
F11-19	21217-F00000-00B	Driven Friction Plate B, Clutch	4
F11-20	21210-F00000-000	Separating Spring, Clutch	6

F11- CLUTCH



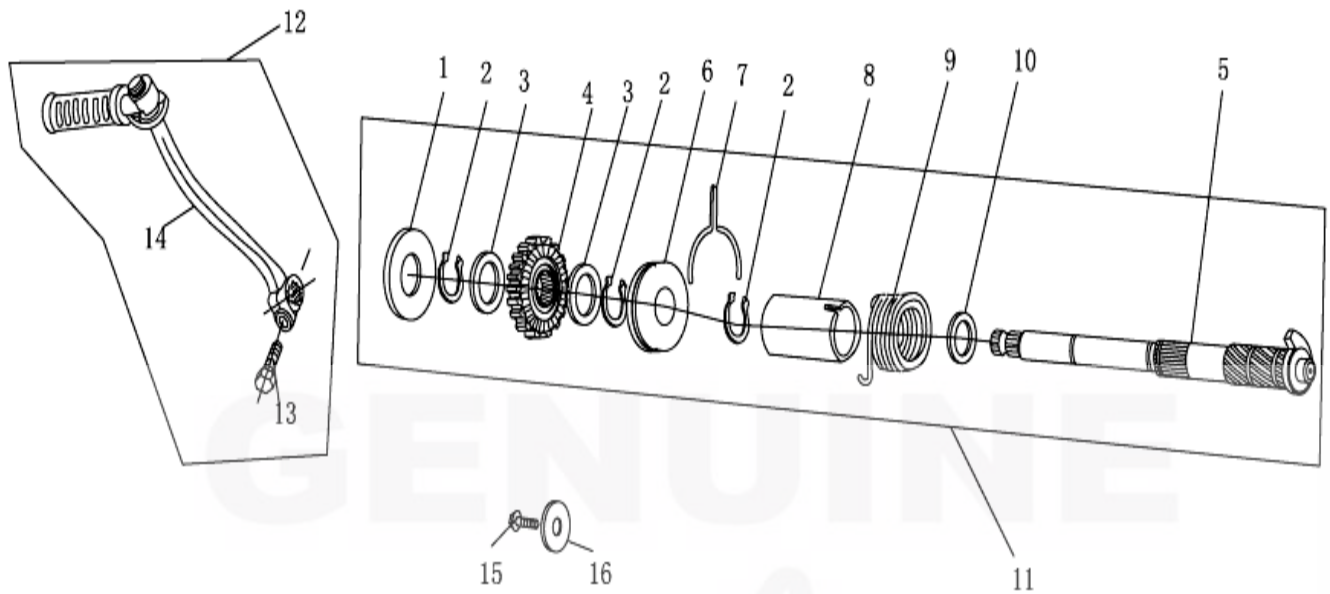
DIA.N	PART NO.	DESCRIPTION	Q'TY
F11-21	21217-F00000-00A	Driven Friction Plate A, Clutch	1
F11-22	21115-ABCF0-000	Spring Circlip ϕ 104	1
F11-23	21211-F00000-000	Core Cover, Clutch	1
F11-24	22226-AF0000-000	Driven Gear69T	1
F11-25	GB/T276-94-16003	Bearing 16003	1
F11-26	21208-F00000-000	Roller ϕ 5*8	8
F11-27	21209-F00000-000	Inner Plate, Unilateralism	1
F11-28	21212-F00000-000	Spring, Roll Pole	2
F11-29	21112-F00000-000	Outer Plate, Unilateralism	4
F11-30	21113-F00000-000	Washer	1
F11-31	22213-F00000-000	Circlip ϕ 32.7	1
F11-32	21114-F00000-000	Outer Plate, Centrifugal Clutch	1
F11-33	21124-F00000-000	Pads	3
F11-34	22214-F00000-000	Circlip ϕ 7.6	3
F11-35	22215-F00000-000	Washer ϕ 8* ϕ 14*1	3
F11-36	21118-F00000-000	Spring, Pads	3
F11-37	21119-F00000-000	Stay, Pads	1
F11-38	23111-F00000-000	Gasket, Clutch Head Cover	1
F11-39	23112-F00000-000	Clutch Head Cover	1
F11-40	GB/820-05008-B	Bolt, Cross M5*8	3

F12- TRANSMISSION



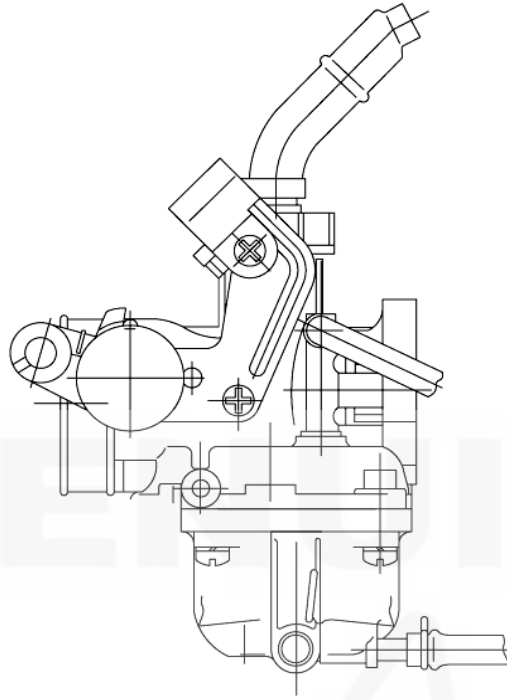
DIA.N	PART NO.	DESCRIPTION	Q'TY
F12-01	24110-F00000-000	Mainshaft, Transmission	1
F12-02	24210-F00000-000	Countershaft, Transmission	1
F12-03	24112-F00000-000	Washer ϕ 17* ϕ 26*1	2
F12-04	24211-F00000-000	Drive Gear, Countershaft(30T)	1
F12-05	24113-F00000-000	Washer ϕ 12* ϕ 23*1	2
F12-06	24114-F00000-000	Washer ϕ 18	1
F12-07	24111-F00000-000	Drive Gear, Mainshaft(17T)	1
F12-08	24212-F00000-000	Starting Middle Gear(31T)	1
F12-09	24213-F00000-000	Sprocket Wheel, Drive 13T	1
F12-10	23681-ABCDEF-000	Plate, Drive Sprocket	1
F12-11	GB/T276-94-6001	Bearing 6001	1
F12-12	GB/T276-94-6201	Bearing 6201	1
F12-13	GB/T276-94-6203	Bearing 6203	1
F12-14	24115-F00000-000	Gear, Mainshaft Clutch 15T	1
F12-15	24214-F00000-000	Washer ϕ 25* ϕ 32*1	2
F12-16	90801-1729-005	Oil Seal, Countershaft 17*29*5	1
F12-17	GB/5783-06008-L	Bolt, Hex-Head M6*8	2
F12-18	GB/T276-94-6905	Bearing 6905	6
F12-19	24100-F00000-000	Mainshaft, Assy.	1
F12-20	24200-F00000-000	Countershaft, Assy.	1

F13- KICK STARTING MECHANISM



DIA.N	PART NO.	DESCRIPTION	Q'TY
F13-01	25111-F00000-000	Washer ϕ 14* ϕ 32*1	1
F13-02	25110-F00000-000	Circlip ϕ 18	3
F13-03	25112-F00000-000	Washer ϕ 21* ϕ 27*0.5	2
F13-04	25101-F00000-000	Gear, Kick Start Drive	1
F13-05	25102-F00000-000	Shaft, Kick Start	1
F13-06	25103-F00000-000	Ratchet Wheel, Starter	1
F13-07	25104-F00000-000	Stay Circlip, Starting Ratchet Wheel	1
F13-08	25105-F00000-000	Reboud Spring Spacer, Kick Start Shaft	1
F13-09	25106-F00000-000	Return Spring, Kick Start Shaft	1
F13-10	25107-F00000-000	Washer ϕ 19* ϕ 22*1	1
F13-11	25100-F00000-000	Kick Axle Comp.	1
F13-12	FA000200	Kick Starter	1
F13-13	GB/5783-06020-L	Bolt, Hex-Head M6*20	1
F13-14	FA000201	Kick Starter	1
F13-15	GB/5787-06020-L	Bolt, Hex-Head M6*20	1
F13-16	25113-F00000-000	Washer ϕ 6* ϕ 25*2	1

F14- CARBURETOR



DIA.N	PART NO.	DESCRIPTION	Q'TY
F14-01	13200-98000	Carburetor Assy.	1

THUMP®