

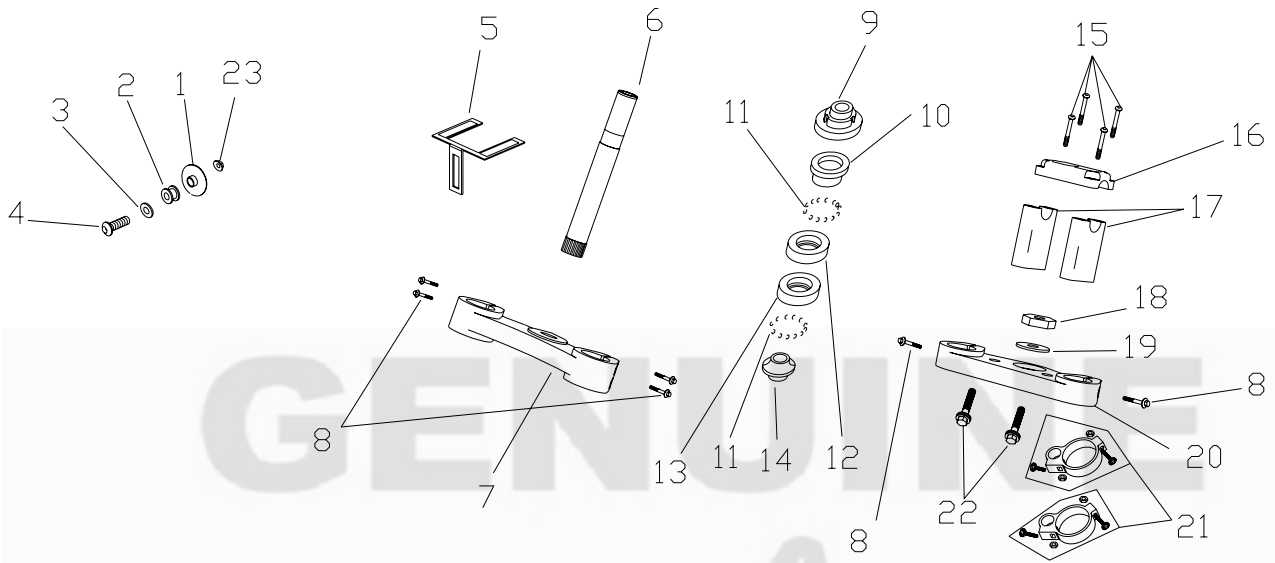


TDX-125F THUMPSTAR PRO FRAME PARTS

CONTENTS

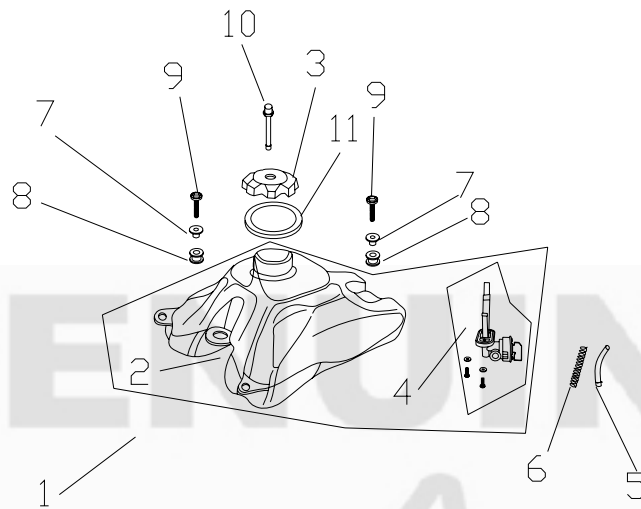
- 一、 STEERING STEM ASSY.
- 二、 FUEL TANK ASSY.
- 三、 AIR FILTER
- 四、 ELECTRICAL UNIT
- 五、 R. WHEEL ASSY.
- 六、 WIRE CABLE
- 七、 EXHAUST MUFFLER
- 八、 FRONT BRAKE
- 九、 BRAKE ASSY.
- 十、 FRONT WHEEL
- 十一、 F/ R SHOCK ABSORBER ASSY.
- 十二、 SKIP PLATE、 ENGINE/FOOTREST BRACKET ASSY.
- 十三、 SWINGARM ASSY.
- 十四、 SEAT/ COMPLETE SET OF COVERS
- 十五、 FRAME ASSY.
- 十六、 HANDLEBAR ASSY.
- 十七、 COMPLETE SET OF DECALS
- 十八、 COMPLETE SET OF TOOLS

一、 STEERING STEM ASSY.



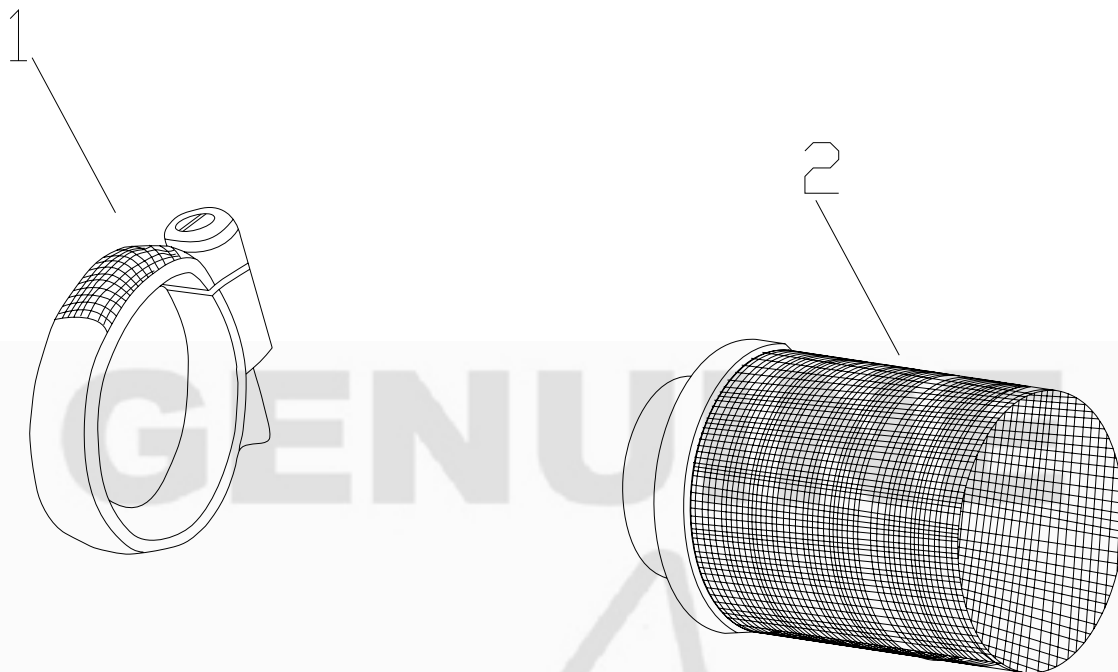
DIA. N	PART NO.	DESCRIPTION	Q' TY
P01-01	01R000800	Sleeved Washer	1
P01-02	01Q000800	Gromment, Number Plate	1
P01-03	01R002300	Wash(ϕ 6* ϕ 27*1)	1
P01-04	01R001400	Bolt, Hex-Head(M6*20)	1
P01-05	01A000400	Stay, Number Plate	1
P01-06	01B000409	Steering Stem	1
P01-07	01B010400	Steering Stem(SUP)	1
P01-08	GB/70-08020-N	Bolt, Hex-Head	6
P01-09	01B000401	Nut, Steering Stem	1
P01-10	01B000406	Upper Cone Race	1
P01-11	01B000408	Steel Ball	40
P01-12	01B000404	Upper Ball Race	1
P01-13	01B000405	Lower Ball Race	1
P01-14	01B000407	Bottom Cone Race	1
P01-15	GB/70-08025-N	Bolt, Hex-Head(M8*25)	4
P01-16	01B000301	Upper Clamp, Handlebar	1
P01-17	01B000302	Lower Clamp, Handlebar 70MM	2
P01-18	01B000402	Adjusting Nut ,Steering Stem	1
P01-19	01B000403	Wash, Adjusting Nut	1
P01-20	01B010300	Upper Crown, Socket (SUP)	1
P01-21	01H000500	Upper clamp, F.brake	2
P01-22	GB/9074. P17-12040-LB	Bolt(M12*45*1.25)	2
P01-23	GB/6187-M6-LB	Flange Nut	1

二、FUEL TANK ASSY.



DIA. N	PART NO.	DESCRIPTION	Q' TY
P02-01	01J000000	Fuel Tank Assy.	1
P02-02	01J000100	Fuel Tank	1
P02-03	01J000400	Cap, Fuel Tank	1
P02-04	01J000300	Cock, Fuel Tank	1
P02-05	01Q000300	Fuel Hose & Clip	1
P02-06	01Q000301	Spring, Fuel Hose	1
P02-07	01R000700	Sleeved Washer	2
P02-08	01Q000400	Gromment	2
P02-09	01R001700	Bolt, Hex-Head(M8*25)	2
P02-10	01J000402	Breather Tube Fuel Tank Cap	1
P02-11	01J000401	Seal Washer, Fuel Tank Cap	1

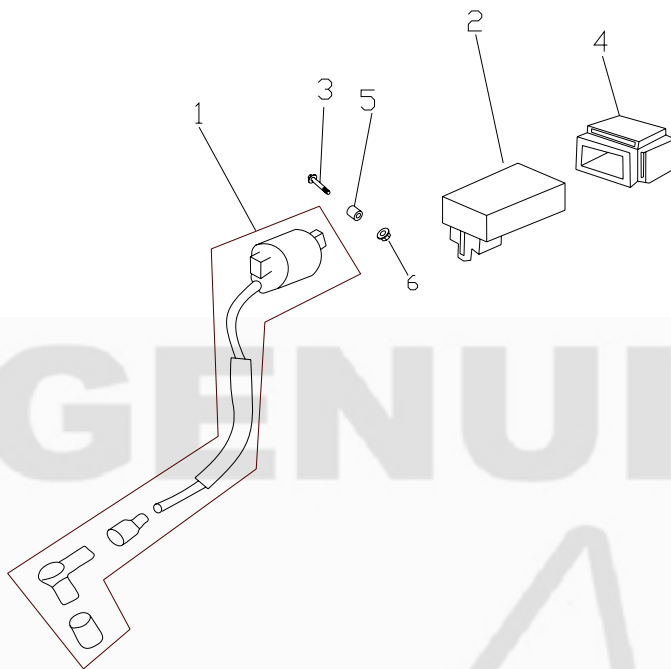
三、 AIR FILTER



DIA. N	PART NO.	DESCRIPTION	Q' TY
P03-01	01P000100	Clamp, Air Filter	1
P03-02	01P000200	Air Filter	1

THUMP®

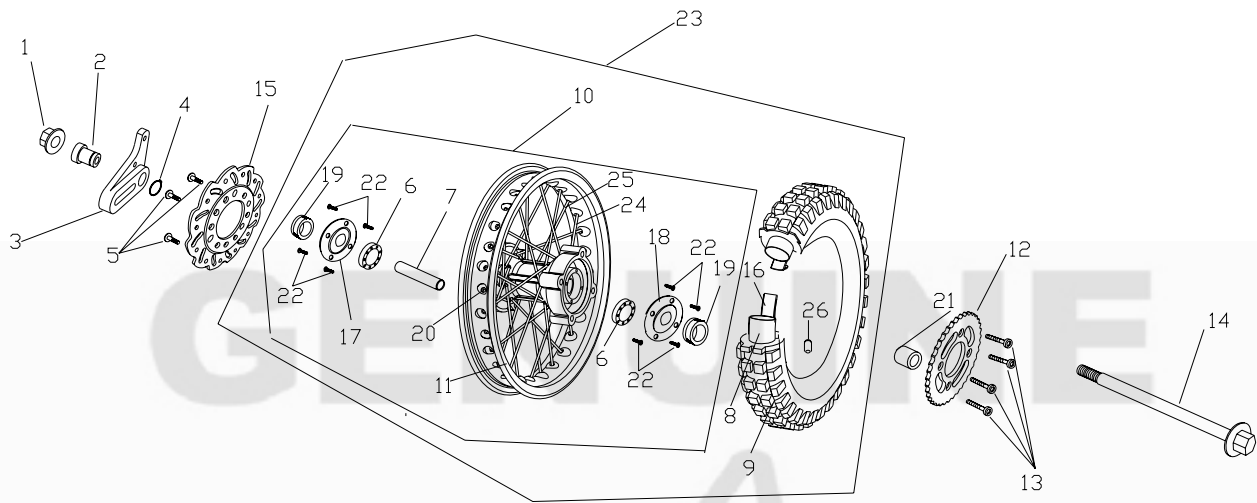
四、ELECTRICAL UNIT



DIA. N	PART NO.	DESCRIPTION	Q' TY
P04-01	01N000300	Ignition Coil	1
P04-02	01N000600	C.D.I.Unit	1
P04-03	01R003000	Bolt, Hex-Head (M6*40)	1
P04-04	01N000601	Coil Rubber Holder	1
P04-05	01R002700	Bush,Ignition Coil	1
P04-06	GB/6177-M6-LB	Flange Nut	1

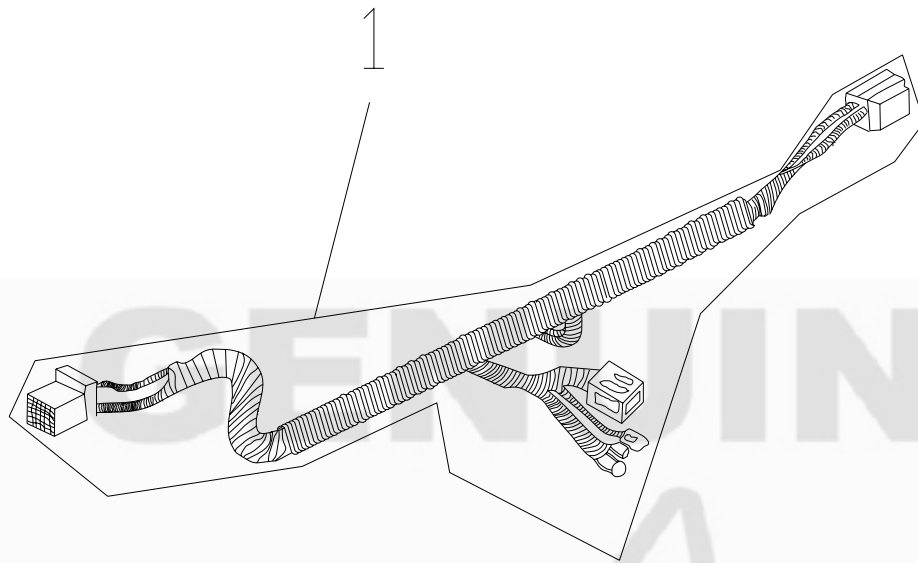
THUMP®

五、 R. WHEEL ASSY.



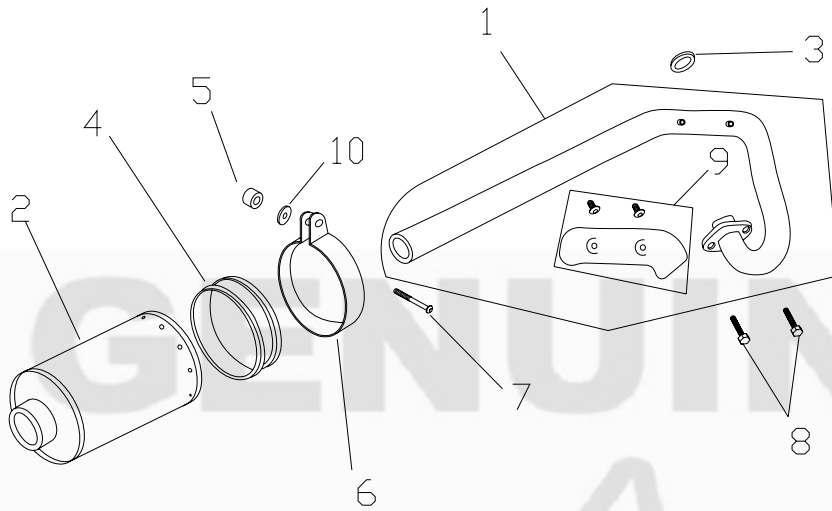
DIA. N	PART NO.	DESCRIPTION	Q' TY
P05-01	GB/6187-M12*1.25-LB	Flange Nut (M12*1.25)	1
P05-02	01R000306	R.Spacer,R.wheel Axle	1
P05-03	01I000300	Stay. R.Brake	1
P05-04	01I000301	Stay Circlip, R Brake	1
P05-05	01R001100	Bolt ,Holder (M8*20)	3
P05-06	01G000102	Bearing .R.Wheel	2
P05-07	01R000308	Spacer, R Wheel Hub	1
P05-08	01F000104	Inner Tube	1
P05-09	01F000105	Outer Tire	1
P05-10	01G000901	R. Wheel Rim Assy.	1
P05-11	01F000102	R Wheel Rim	1
P05-12	01G000300	Sprocket Driven	1
P05-13	01F001900	Bolt, Hexagon Head M8*25	4
P05-14	01R000300	R.Wheel Axle M12*220	1
P05-15	01I000200	F.Brake Disc	1
P05-16	01F000106	R.Band	1
P05-17	01G000106	Press Plate, Wheel Hub	1
P05-18	01G000105	Press Plate, Sproket Driver	1
P05-19	01G000801	Oil Seal 22*32*5	2
P05-20	01F000111	Nut, Spoke	28
P05-21	01R000307	L.Spacer,R.Wheel Axle	1
P05-22	GB/819-04016-C	Bolt, Cross	4
P05-23	01G000900	R. Wheel Assy.	1
P05-24	01F000118	R.Spoke A	14
P05-25	01F000119	R.Spoke B	14
P05-26	01F000108	Dust-Protecting Cap	1

六、 WIRE CABLE



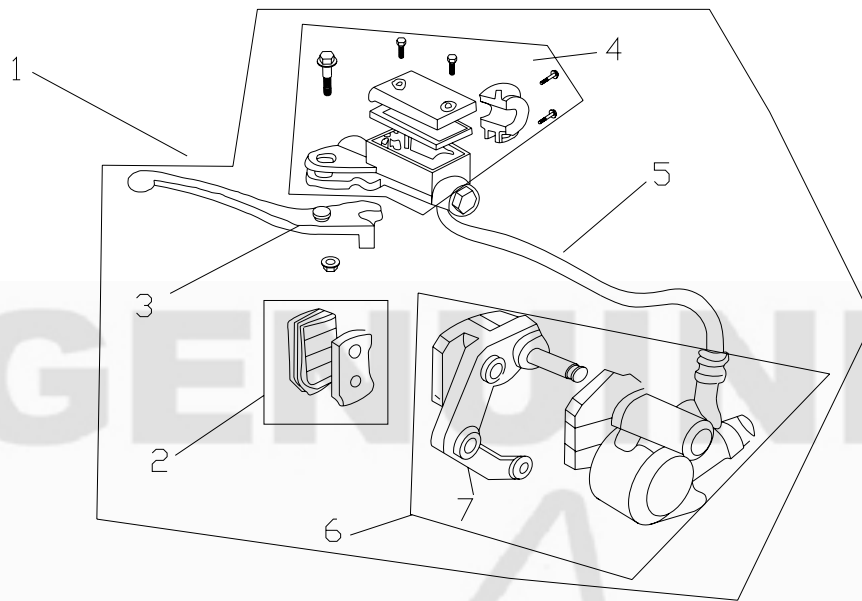
DIA. N	PART NO.	DESCRIPTION	Q' TY
P06-01	01N001000	Wire Cable	1

七、EXHAUST MUFFLER



DIA. N	PART NO.	DESCRIPTION	Q' TY
P07-01	01M000100	Exhaust Pipe Assy.	1
P07-02	01M000200	Exhaust Muffler Assy.	1
P07-03	01M000400	Seal Washer, Muffler	1
P07-04	01Q000600	Ring Mat	1
P07-05	01R000600	Bush	1
P07-06	01M000300	Clamp, Muffler	1
P07-07	GN/70-08040-N	Bolt, Hexagon Head(M8*55)	1
P07-08	GB/70-06020-N	Bolt, Hex-Head(M6*20)	2
P07-09	01M000101	Heat Sheild	1
P07-10	01Q001300	Gasket, Muffler	1

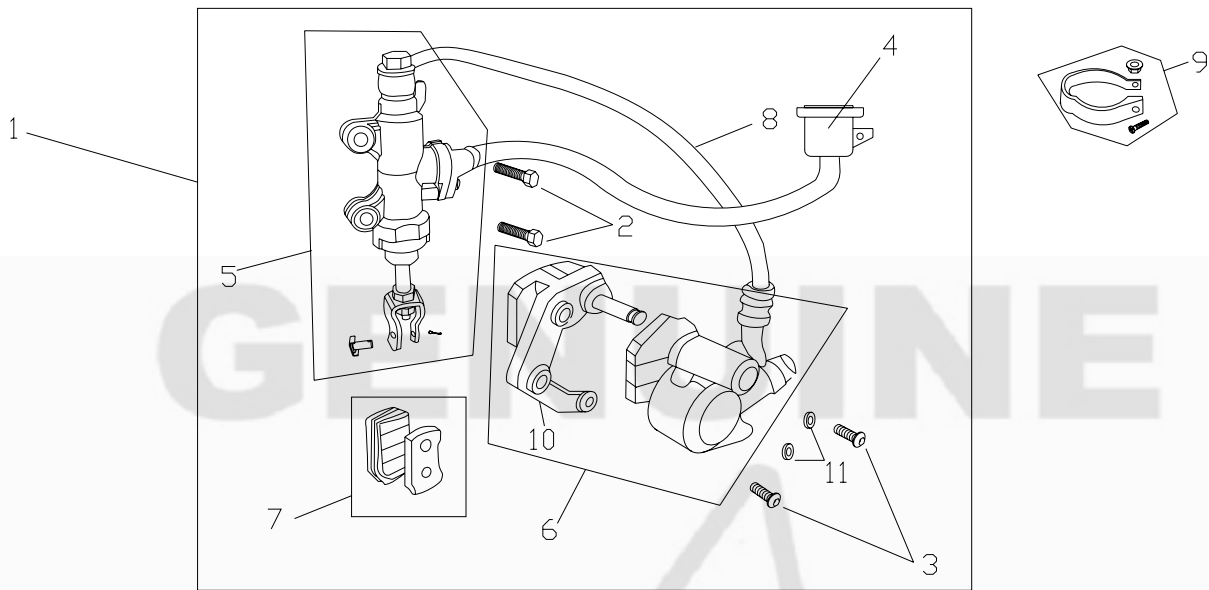
八、FRONT BRAKE



DIA. N	PART NO.	DESCRIPTION	Q' TY
P08-01	01H000800	Complete Assy.	1
P08-02	01H000101	Front Disc Pads	1
P08-03	01H000105	Front Lever	1
P08-04	01H000102	M/C Lid	1
P08-05	01H000804	Front Brake Hose	1
P08-06	01H000103	Front Caliper	1
P08-07	01H000107	Bracket, Front Caliper	1

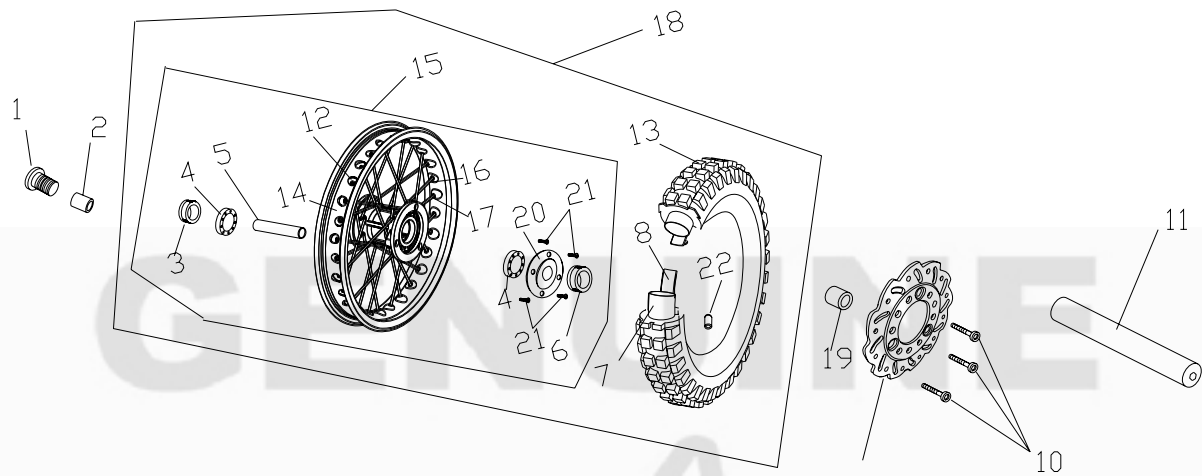
THUMP

九、BRAKE ASSY.



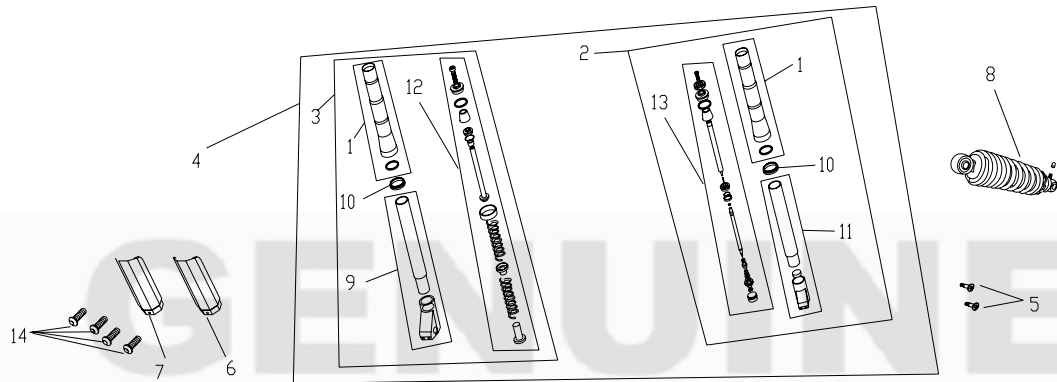
DIA. N	PART NO.	DESCRIPTION	Q' TY
P09-01	011000500	R. Brake Assy.	1
P09-02	GB/70-06030-N	Bolt,Hex-Head	2
P09-03	GB/70-08025-N	Bolt,Hex-Head	2
P09-04	011000107	Oil Cup, R. Brake Disc	1
P09-05	011000102	Rear Master Cylinder	1
P09-06	011000103	Rear Caliper	1
P09-07	01H000101	Front Disc Pads	1
P09-08	011000104	Rear Brake Hose	1
P09-09	011000600	Clip, Rear Brake Hose	1
P09-10	01H000107	Bracket, Rear Caliper	1
P09-11	GB/93- ϕ 8-N	Washer	2

十、FRONT WHEEL ASSY



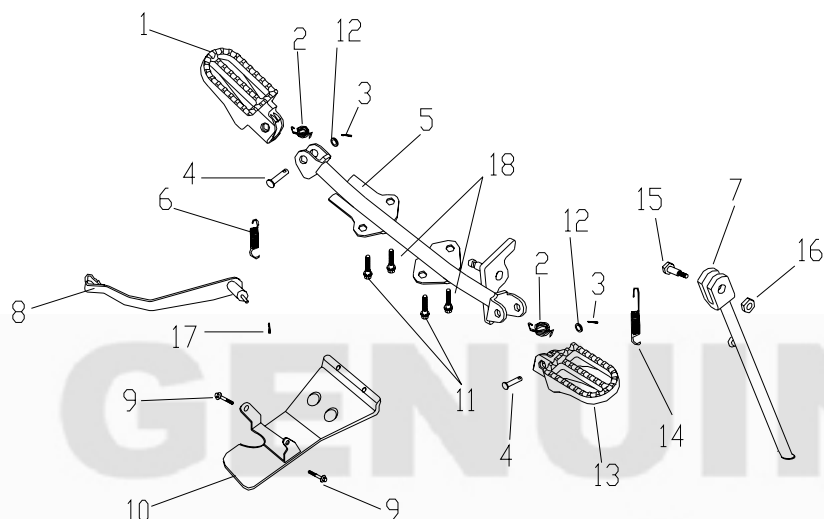
DIA. N	PART NO.	DESCRIPTION	Q' TY
P10-01	01R010700	Nut,F.Wheel Axle	1
P10-02	01R010601	R.Spacer,F.wheel Axle	1
P10-03	01F000402	Oil Seal 25*38*7	1
P10-04	01F000103	Bearing6904. F.Wheel	2
P10-05	01R000208	Spacer, F. Wheel Hub	1
P10-06	01F000401	Oil Seal 25*32*6	1
P10-07	01F000202	F. Inner Tube	1
P10-08	01F000204	F.Band	1
P10-09	01H000200	F. Brake Disc	1
P10-10	01R001100	Bolt, Holder M8*20	3
P10-11	01R010401	F. Wheel Axle	1
P10-12	01F000111	Nut ,Spoke	28
P10-13	01F000203	F. Outer Tire 12"	1
P10-14	01F000201	F.Wheel Rim	1
P10-15	01F000501	F. Wheel Rim Assy.	1
P10-16	01F000121	F.Spoke B	14
P10-17	01F000120	F.Spoke A1	14
P10-18	01F000500	F. Wheel Assy.	1
P10-19	01R010501	L.Spacer,F.Wheel Axle	1
P10-20	01G000106	Press Plate, F. Wheel Hub	1
P10-21	GB/819-04016-C	Bolt, Cross	4

十一、FRONT REAR SHOCK ABSORBER ASSY.



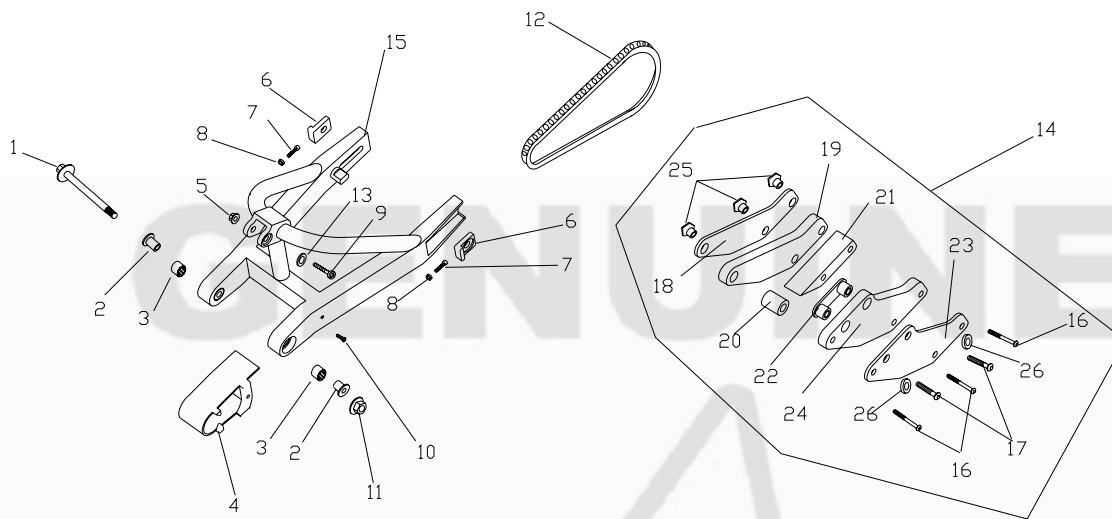
DIA. N	PART NO.	DESCRIPTION	Q' TY
P11-01	01B010105	Upper Socket Front Outer Tube	2
P11-02	01B010200	F.R. Shock Absorber	1
P11-03	01B010000	F.L. Shock Absorber	1
P11-04	01B010000	F. Shock Absorber	1
P11-05	GB/70-08025-N	Bolt Hex-Head	2
P11-06	01L000900	Left Front Shock absorber Shield	1
P11-07	01L001000	Right Front Shock Absorber Shield	1
P11-08	01D000400	R.Shock Absorber	1
P11-09	01B010104	Inner Tube Bottom Socket,Left Shock absorber	1
P11-10	01B010102	Inner Tube Hoop,F. Shock Absorber	2
P11-11	01B010204	Right Shock Absorber Shield	1
P11-12	1B0100103	Inner Spring Comp	1
P11-13	01B010201	Valve Comp	1
P11-14	01R001200	Bolt, Hex-Head M5*8	4

十二、SKIP PLATE, ENGINE、FOOTREST BRACKET ASSY.



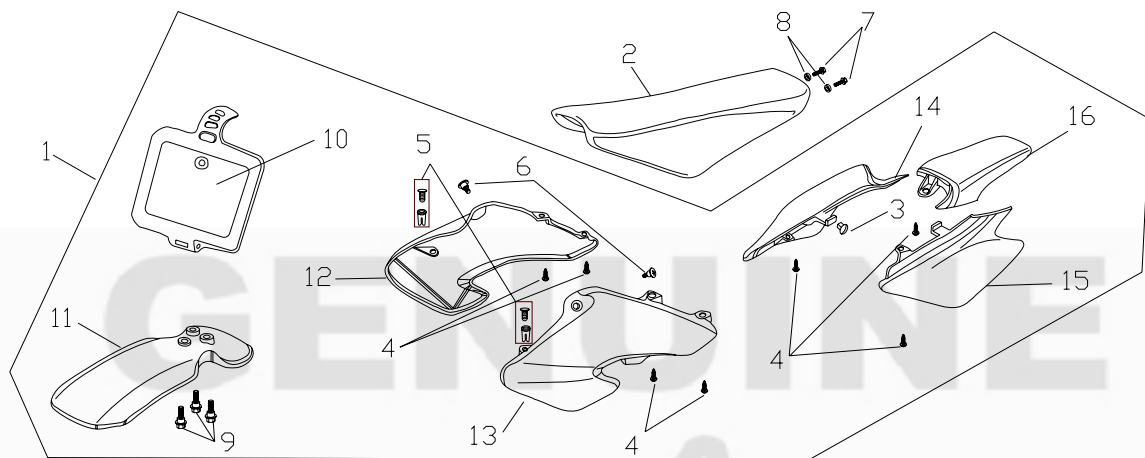
DIA. N	PART NO.	DESCRIPTION	Q' TY
P12-01	01A000102	Footrest R	1
P12-02	01A000103	Spring, Footrest	2
P12-03	01R000901	Cotter Pin	2
P12-04	01R000900	Clevis Pin	2
P12-05	01A000100	Footrest Bracket	1
P12-06	01A000301	Spring, Brake Pedal	1
P12-07	01A000200	Side Stand	1
P12-08	01A000300	Brake Pedal	1
P12-09	GB/5787-06016-L	Flange Nut	2
P12-10	01A000900	Skip Plate, Engine	1
P12-11	GB/9074. P17-08025-LB	Bolt	2
P12-12	GB/97. 1- ϕ P10-LB	Washer	2
P12-13	01A000101	Footrest L	1
P12-14	01A000201	Spring, Side Stand	1
P12-15	01A000202	Bolt ,Side Stand	1
P12-16	GB/6170-M10*1.5-LB	Nut	1
P12-17	01R003600	Cotter Pin*16	1
P12-18	GB/97. 1- ϕ 8*2-LB	Washer	1
P12-19	01R003100	Bolt, Hex-Head M6*20	1

十三、SWINGARM ASSY.



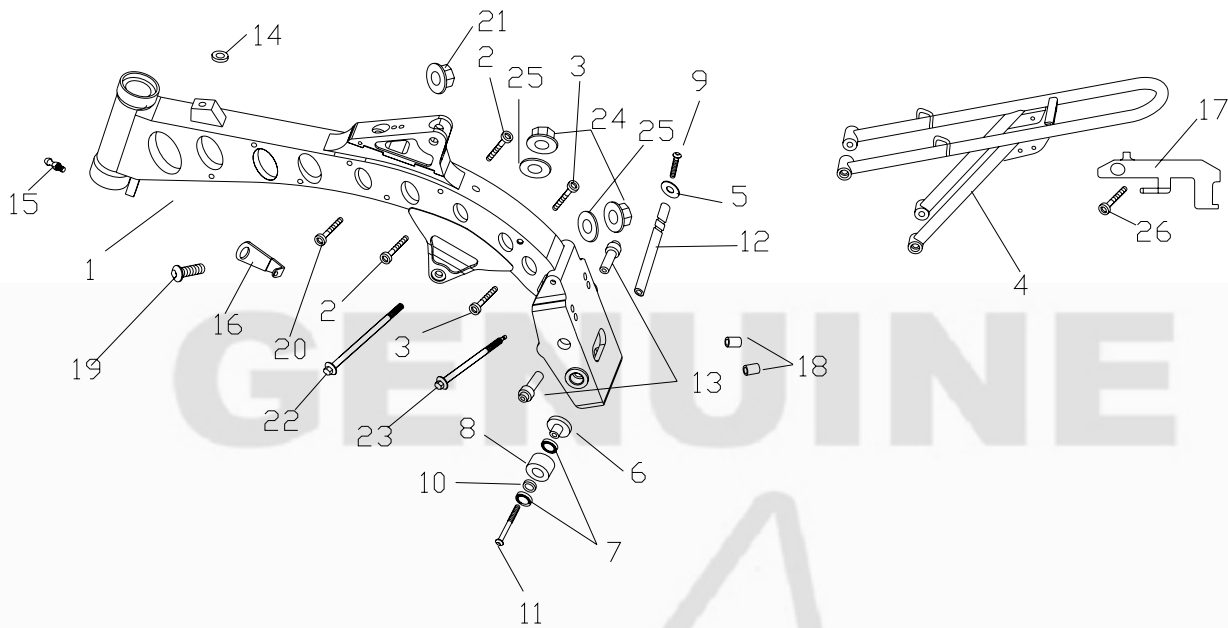
DIA. N	PART NO.	DESCRIPTION	Q' TY
P13-01	01R000400	Pivot, Swing Arm	1
P13-02	01R000402	Spacer, Swing arm	2
P13-03	GB/6903-NA	Needle Bearing	2
P13-04	01C000400	Slider,Chain	1
P13-05	GB/6187-MP10-LB	Nut M10	1
P13-06	01C000100	L&R.Chain Adjustor	2
P13-07	GB/5783-06050-LB	Bolt, Hex-Head M6*50	2
P13-08	GB/6170-M6-LB	Nut	2
P13-09	GB/70-10050-LB	Bolt ,Hex-head	1
P13-10	01R001200	Bolt, Hex-Head M5*8	1
P13-11	GB/6187-M10*1. 25	Flange Nut	1
P13-12	01C000600	Chain	1
P13-13	GB/97. 1- φ P10-LB	Washer	1
P13-14	01C000700	Guard Assy. Chain	1
P13-15	01C010000	Swing Arm Assy	1
P13-16	01R003000	Bolt,Hex-Head M6*40	3
P13-17	01R003100	Bolt,Hex-Head M8*20	2
P13-18	01C000502	R.Board,Chain Guide	1
P13-19	01C000703	R.Nylon block,Chain Guide	1
P13-20	01R000100	Middle Bush,Chain Guide	1
P13-21	01C000505	Middle Nylon Block,Chain Guide	1
P13-22	01C000706	Fixed Stay,Chain Guide	1
P13-23	01C000704	L.Nylon block,Chain Guide	1
P13-24	01C000501	L.Board,Chain Guide	1
P13-25	01C000507	Fixture Cap,Chain Guide	3
P13-26	GB/93- φ 8-N	Washer	2

十四、SEAT/ COMPLETE SET OF COVERS



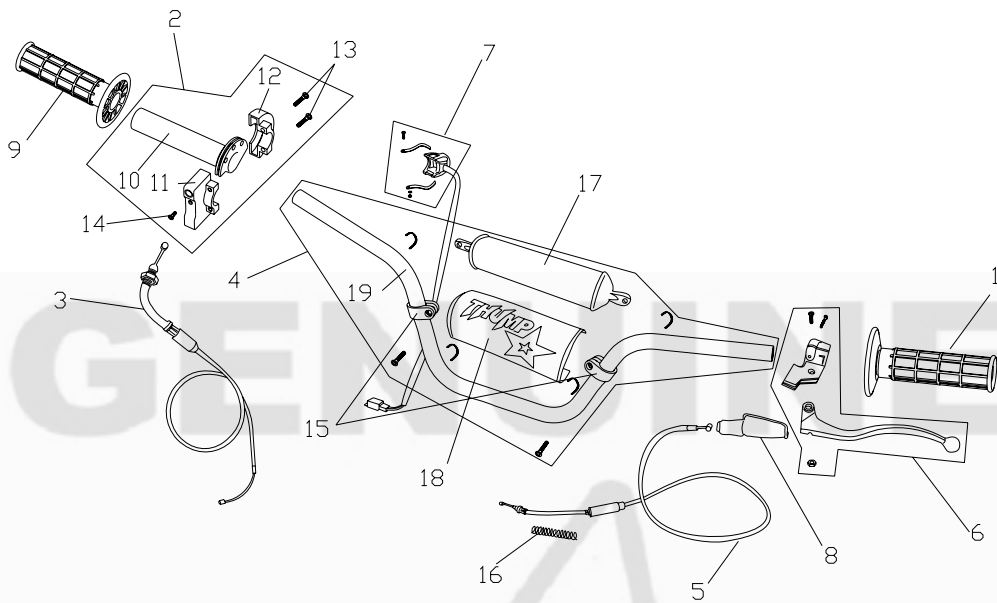
DIA. N	PART NO.	DESCRIPTION	Q' TY
P14-01	01L000000	Complete Set Of Cover Assy	1
P14-02	01K000000	Seat Assy	1
P14-03	01Q001100	Insulator, R.R. Side Cover	1
P14-04	GB/845-85-G	Bolt ,Cross	7
P14-05	01V000100	Plastic Fastener	2
P14-06	01R002000	Bolt M5*10	2
P14-07	GB/70-06020-N	Bolt, Hex-Head M6*20	2
P14-08	01R002400	Washer ϕ 6* ϕ 8*1	2
P14-09	01R002100	Bolt, Hex-Head M6*16*6	3
P14-10	01L000700	Number Plate	1
P14-11	01L000700	F.Fender	1
P14-12	01L000300	R.Side Cover	1
P14-13	01L000200	L.Side Cover	1
P14-14	01L000500	R.R.Side Cover	1
P14-15	01L000400	L.Side Cover	1
P14-16	01L000600	R.Fender	1

十五、FRAME ASSY.



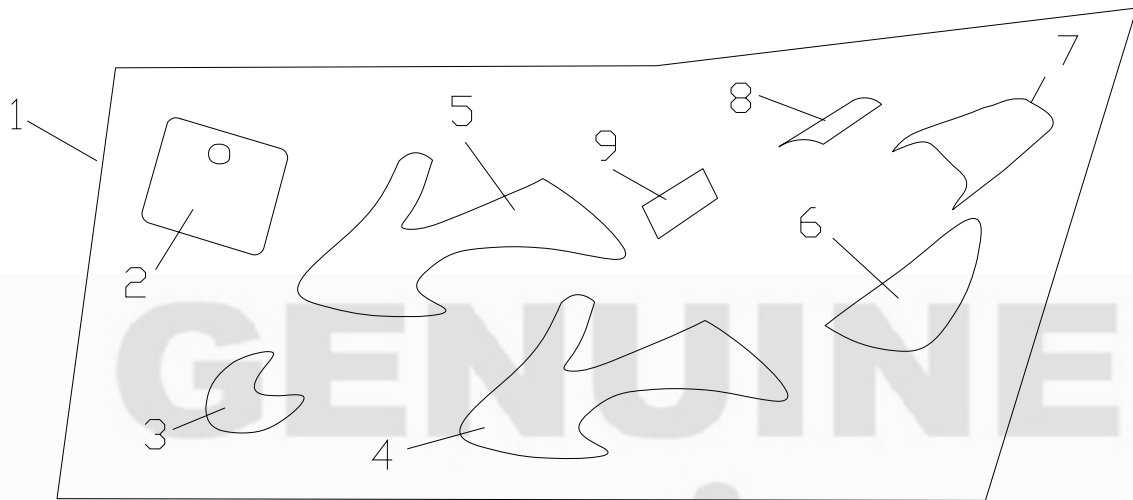
DIA. N	PART NO.	DESCRIPTION	Q' TY
P15-01	01A010000	Frame Assy	1
P15-02	GB/70-08040-N	Bolt,Hex-Head	2
P15-03	GB/70-08025-N	Bolt,Hex-Head	2
P15-04	01A010100	Rear Sub Frame	1
P15-05	GB/97. 1- ϕ 8-LB	Washer	2
P15-06	01R000502	Outer Spacer ,Roller Chain	1
P15-07	01C000301	Bearing, Roller Chain 608	2
P15-08	01C000300	Roller Chain	1
P15-09	01R003100	Bolt, Hex-Head (M8*20)	1
P15-10	01R000500	Inner Spacer, Roller Chain	1
P15-11	01R002900	Bolt, Hex- Head(M8*70)	1
P15-12	01R002800	Axle ,Rear Brake	1
P15-13	01R002501	Collar,Frame	2
P15-14	01A001100	Washer, Oil Tank	1
P15-15	01A000500	Grease Nipple	1
P15-16	01A000800	Check Spelling Bracket	1
P15-17	01A010001	Stay,C.D.I.Unit	1
P15-18	01R002600	Bush,R.Brake Caliper	2
P15-19	01R001300	Bolt,Hex-Head M6*10	1
P15-20	GB/70-10045-LB	Bolt,Hex-Head	1
P15-21	GB/6187-MP10-LB	Flange Nut	1
P15-22	GB/5787-08115-G	Flange Nut	1
P15-23	01R002200	Flange Nut	1
P15-24	GB/6187-M8-LB	Flange Nut	2
P15-25	GB/97. 1- ϕ 8-G	Washer	2
P15-26	GB/70-06020-N	Bolt,Hex-Head	1

十六、HANDLEBAR ASSY.



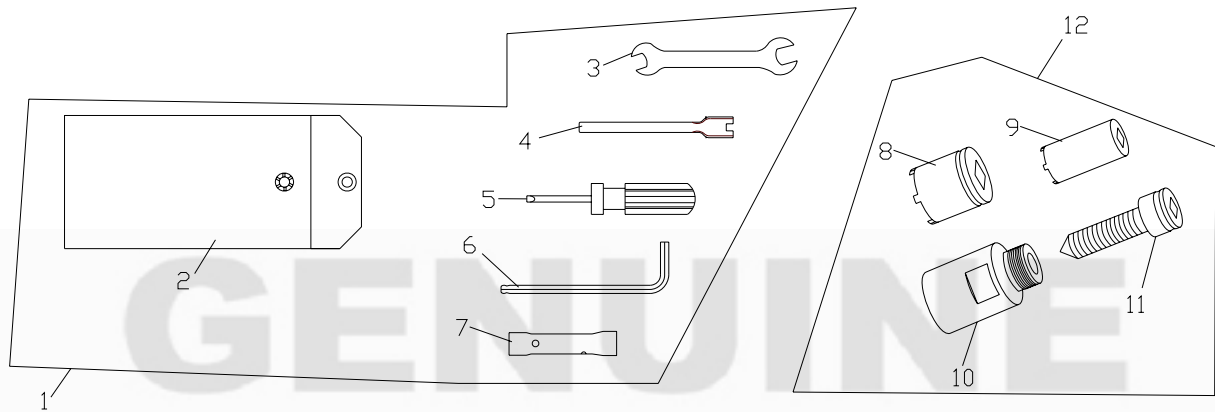
DIA. N	PART NO.	DESCRIPTION	Q' TY
P16-01	01Q000100	Handgrip L.	1
P16-02	01E000800	Throttle Assy	1
P16-03	01E000600	Cable, Throttle	1
P16-04	01E000000	Handlebar, Assy.	1
P16-05	01E000500	Cable, Clutch	1
P16-06	01000300	Clutch Lever Assy.	1
P16-07	01N000100	Kill Switch	1
P16-08	01Q000900	Plastic Sheath,Clutch Cable	1
P16-09	01Q000200	Handgrip R.	1
P16-10	01E000200	Inner Cable ,Throttle	1
P16-11	01E000202	Lower Stay,Throttle	1
P16-12	01E000201	Upper Stay,Throttle	1
P16-13	GB/70-05020-N	Bolt,Hex-Head M5*20	2
P16-14	B/70-050P10-N	Bolt,Hex-Head M5*10	1
P16-15	01E000102	Bolt,Hex-Head	2
P16-16	01E000701	Spring ,Clutch Cable	1
P16-17	01E000101	Foam ,Handlebar	1
P16-18	010000900	Plastic Cover,Handlebar Foam	1
P16-19	01E000100	Handle	1

十七、 COMPLETE SET OF DECALS



DIA. N	PART NO.	DESCRIPTION	Q' TY
P17-01	01O000000	Complete Set of Decals	1
P17-02	01O000700	Decal,Nuber Plate	1
P17-03	01O000300	Decal,F.Fender	1
P17-04	01O000100	Decal ,L.Side Cover	1
P17-05	01O000200	Decal,R.Side Cover	1
P17-06	01O000500	Decal,L.R.Side Cover	1
P17-07	01O000400	Decal ,R.Fender	1
P17-08	01O001200	Decal,R.R Side Cover	1
P17-09	01O000800	Decal,Battery Cover	1

十八、 COMPLETE SET OF TOOLS



DIA. N	PART NO.	DESCRIPTION	Q' TY
P18-01	01T000200	Accessory Tools	1
P18-02	01T000206	Bag,Accessory Tools	1
P18-03	01T000203	Open end wrench10、 12	1
P18-04	01T000201	Spoke Spanner	1
P18-05	01T000204	Dual-purpose Screwdriver	1
P18-06	01T000202	Socket Spanner	1
P18-07	01T000205	Socket Spanner,Spark Plug	1
P18-08	01T000301	Socket Spanner,Clutch(For 90CC / 110CC / 120CC)	1
P18-09	01T000302	Socket Spanner,Clutch(for 125cc)	1
P18-10	01T000303	Flywheel Puller	1
P18-11	01T000304	Bolt, Flywheel Puller	1
P18-12	01T000300	Engine Tools	1