



TDX-125F THUMPSTAR ENGINE PARTS

CONTENTS

D01-Page 1 Cylinder Head

D02-Page 2 Cylinder

D03-Page 3 Camshaft

D04-Page 4 Cam Chain Tensioner

D05-Page 5 Crankcase

D06-Page 6 Oil Filter

D07-Page 7 Oil Pump

D08-Page 8 Crankshaft/Piston

D09-Page 9 Left Crankcase Cover/Generator

D10-Page 10 Clutch

D11-Page 11 Right Crankcase Cover

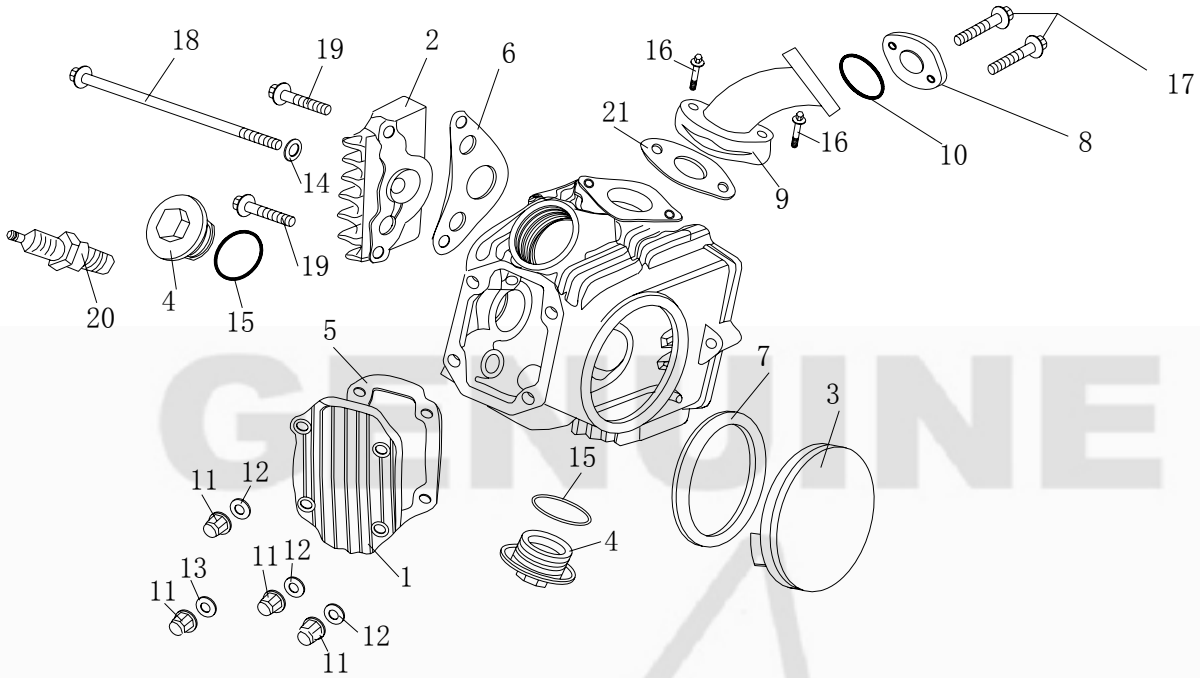
D12-Page 12 Transmission

D13-Page 13 Gearshift Mechanism

D14-Page 14 Kick Starting Mechanism

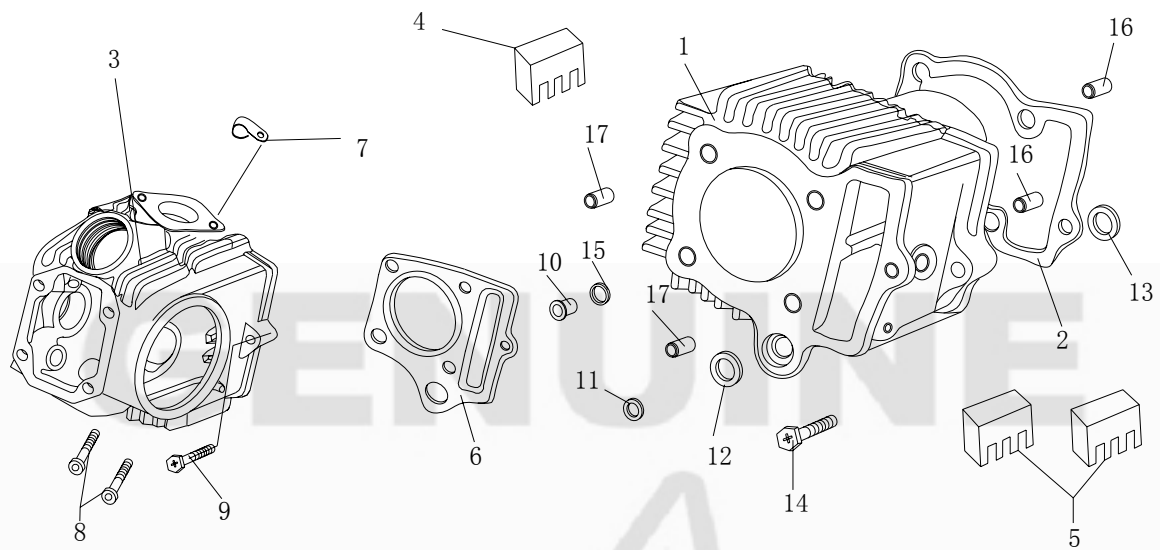
D15-Page 15 Carburetor

D01- CYLINDER HEAD 气缸头



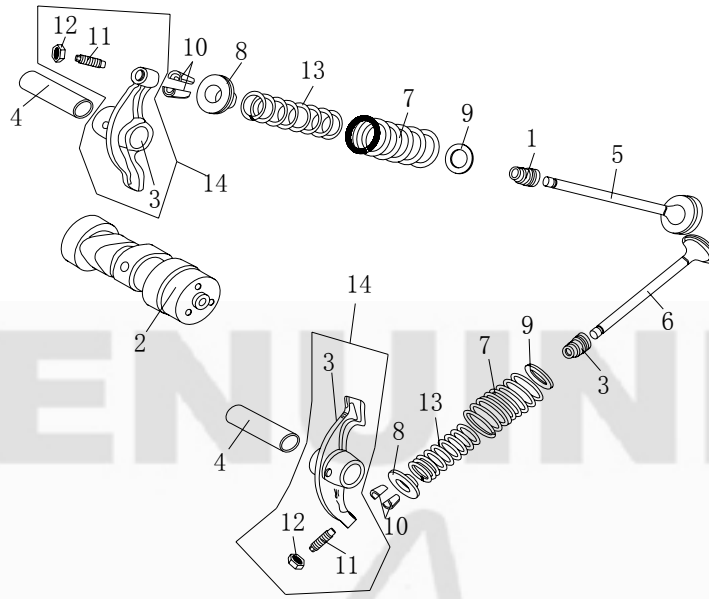
DIA. N	PART NO.	DESCRIPTION	Q' TY
D01-01	12231-D000-000	Cylinder Head Cover	1
D01-02	12332-D000-000	Cylinder Head Cover R.	1
D01-03	12331-CD00-000	Cylinder Head Cover L.	1
D01-04	FB000101	Valve Cover	2
D01-05	12232-D000-000	Gasket, Cylinder Head Cover	1
D01-06	20136-D000-000	Gasket, Cylinder Head R.	1
D01-07	12333-CD00-000	Gasket, Cylinder Head L.	1
D01-08	16107-ABCD-000	Gasket, Insulator	1
D01-09	16103-D000-000	Pipe In	1
D01-10	90701-25002-000	O Ring ϕ	1
D01-11	12001-D000-000	Nut Flange M7	4
D01-12	90435-D000-000	Washer ϕ	3
D01-13	90436-076-000	Copper Washer ϕ	1
D01-14	90401-G20-000	Aluminium Washer ϕ	1
D01-15	90701-31003-005	O Ring, Valve ϕ	2
D01-16	GB/5787-06025-L	Bolt, Hex-Flange M6*25	2
D01-17	GB/70-06030-N	Bolt, Cylinder Hex-Head M6*30	2
D01-18	GB/5787-06110-L	Bolt, Hex-Flange M6*110	1
D01-19	GB/5787-06020-L	Bolt, Hex-Flange M6*20	2
D01-20	30700-ABCD-000	Spark, Plug	1
D01-21	17191-ABCD-000	Gasket, Pipe In	1

D02- CYLINDER 气缸体



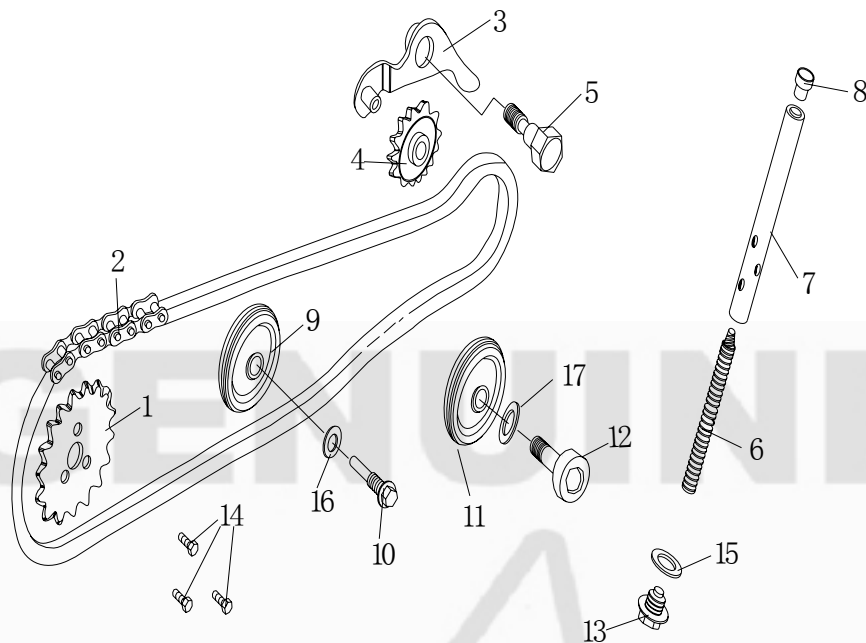
DIA. N	PART NO.	DESCRIPTION	Q' TY
D02-01	1211A-D000-000	Cylinder	1
D02-02	12241-D000-000	Gasket, Cylinder	1
D02-03	1220A-D000-000	Cylinder Head	1
D02-04	12003-D000-000	Rubber Cushion 1, Cylinder	1
D02-05	12004-D000-000	Rubber Cushion 2, Cylinder	2
D02-06	12401-D000-000	Gasket, Cylinder Head	1
D02-07	90563-ABCD-000	Clip, Hi-Pot Cable	1
D02-08	GB/70-06020-N	Bolt, Cylinder Hex- Head M6*20	2
D02-09	GB/19.2-06020-L	Bolt, Hex- Head Cross M6*20	1
D02-10	90414-ABCD-000	Bush 20134	1
D02-11	90128-ABCD-000	Bush 20128	1
D02-12	12393-ABCD-00A	Seal Ring A ϕ	1
D02-13	12393-ABCD-00B	Seal Ring B ϕ	1
D02-14	GB/19.2-06030-L	Bolt, Hex-Head Cross M6*30	1
D02-15	12395-ABCD-000	Gasket, Seal ϕ	1
D02-16	90411-08012-000	Pin, Dowel 92401-08012	2
D02-17	90411-08014-000	Pin, Dowel 92401-08014	2

D03- CAMSHAFT/VALVE 配气机构



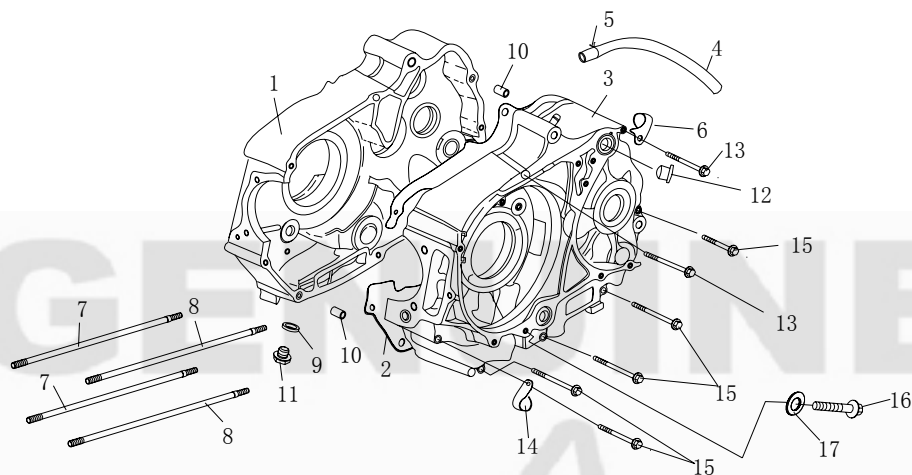
DIA. N	PART NO.	DESCRIPTION	Q' TY
D03-01	14790-ABCD-000	Oil Seal, Valve	2
D03-02	14100-ABCD-000	Camshaft, Comp.	1
D03-03	20111-ABCD-000	Valve Rocker Arm	2
D03-04	14450-ABCD-000	Shaft, Valve Rocker On	2
D03-05	14711-D000-000	Valve In	1
D03-06	14712-D000-000	Valve Out	1
D03-07	20116-D000-000	Spring, Valve Outer	2
D03-08	20118-D000-000	Retainer, Valve Outer	2
D03-09	20115-D000-000	Seat, Valve Spring Outer	2
D03-10	20119-D000-000	Cotter, Valve	4
D03-11	14436-ABCD-000	Screw, Tappet Adjusting	2
D03-12	14437-ABCD-000	Nut, Tappet Adjusting	2
D03-13	20117-D000-000	Spring, Valve Inner	2
D03-14	14430-ABCD-000	Valve Rocker Arm Comp.	2

D04- CAM CHAIN TENSIONER 正时链条、张紧器



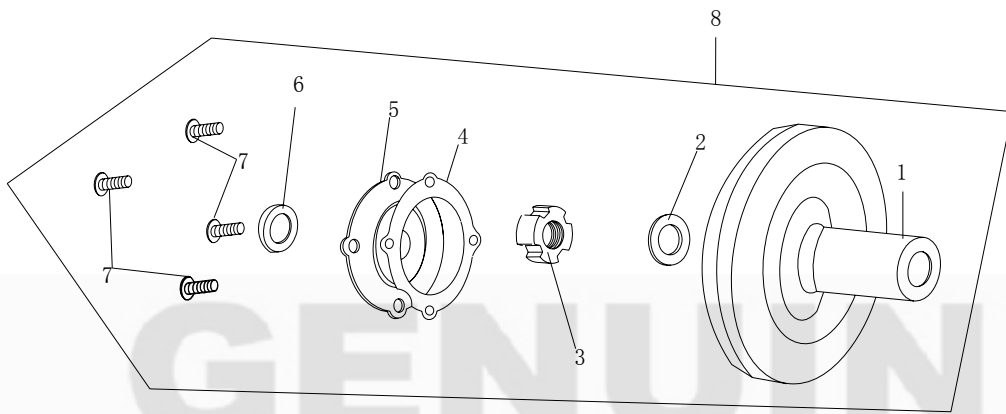
DIA. N	PART NO.	DESCRIPTION	Q' TY
D04-01	14109-CD00-000	Sprocket 32T, Cam	1
D04-02	14440-CD00-000	Chain 90S, Cam	1
D04-03	14530-ABCD-000	Arm, Cam Chain Tensioner	1
D04-04	14541-ABCD-000	Roller, Cam Chain Tensioner	1
D04-05	14542-ABCD-000	Pivot, Cam Chain Tensioner	1
D04-06	14543-ABCD-000	Spring, Cam Chain Tensioner	1
D04-07	14510-ABCD-000	Rod, Cam Chain Tensioner	1
D04-08	14512-ABCD-000	End, Cam Chain Tensioner Rod	1
D04-09	14560-CD00-000	Roller, Cam Chain Guide ϕ	1
D04-10	14561-CD00-000	Pin, Cam Chain Guide Roller	1
D04-11	15133-CD00-000	Sprocket Wheel ϕ	1
D04-12	15114-CD00-000	Shaft, Oil Pump Sprocket Wheel	1
D04-13	90111-12014-00L	Bolt, Sealing Chain Tensioner M14*1.5	1
D04-14	GB/5783-05012-B	Bolt, Hex-Head M5*12	3
D04-15	90301-14-00B	Washer ϕ	1
D04-16	14523-037-000	Washer ϕ	1
D04-17	90301-8-00B	Washer ϕ	1

D05- CRANKCASE 曲轴箱



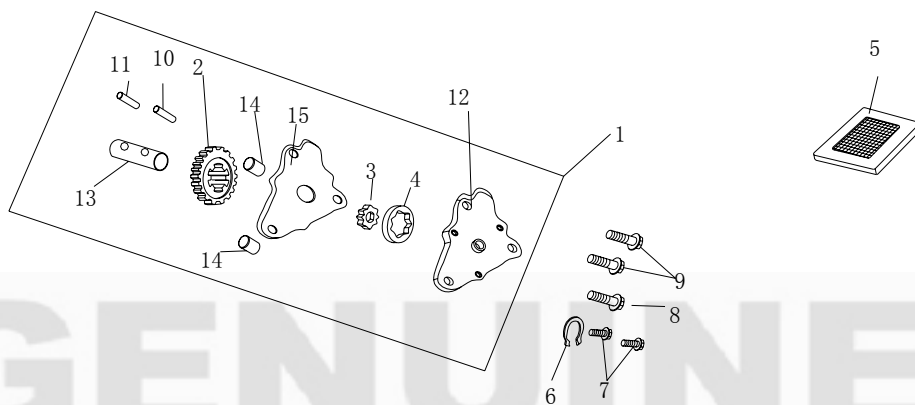
DIA. N	PART NO.	DESCRIPTION	Q' TY
D05-01	1110A-D000-000	Crankcase R.	1
D05-02	11009-D000-000	Gasket, Crankcase	1
D05-03	1120A-D000-000	Crankcase L.	1
D05-04	11211-D000-000	Tube, Breather	1
D05-05	11421-D000-000	Clip, Tube	1
D05-06	11212-D000-000	Clip, Breather Tube	1
D05-07	GB/899-07205-C	Bolt A205, Cylinder Stud	2
D05-08	GB/899-07215-C	Bolt B215, Cylinder Stud	2
D05-09	96301-12-000	Aluminium Washer ϕ	1
D05-10	90411-10014-000	Pin, Dowel ϕ	2
D05-11	90115-12015-00L	Bolt, Drain Plug M12*1.5	1
D05-12	11411-ABCD-000	Rubber, Plug	1
D05-13	GB/5787-06060-L	Bolt, Hex-Flange M6*60	2
D05-14	14440-D000-000	Clip, Carburetor Drain Oil Tube	1
D05-15	GB/5787-06065-L	Bolt, Hex-Flange M6*65	5
D05-16	GB/5787-06018-L	Bolt, Hex-Flange M6*18	1
D05-17	90301-6-00B	Aluminium Washer ϕ	1

D06- OIL FILTER 机油滤清器



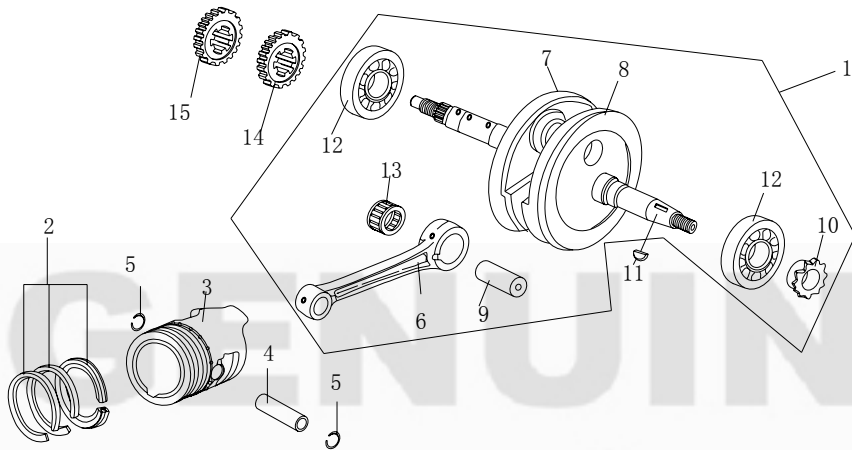
DIA. N	PART NO.	DESCRIPTION	Q' TY
D06-01	1521A-D000-001	Oil Filter	1
D06-02	20512-D000-000	Washer ϕ	1
D06-03	90209-14001-000	Nut, Lock M14*1	1
D06-04	15202-D000-000	Gasket, Oil Pump Cover	1
D06-05	15209-D000-000	Cover, Oil Filter	1
D06-06	15208-D000-000	Oil Seal 25*6*3	1
D06-07	GB/819-05012-B	Bolt, Cross M5*12	4
D06-08	1521A-D000-000	Oil Filter, Comp.	1

D07- OIL PUMP 机油泵



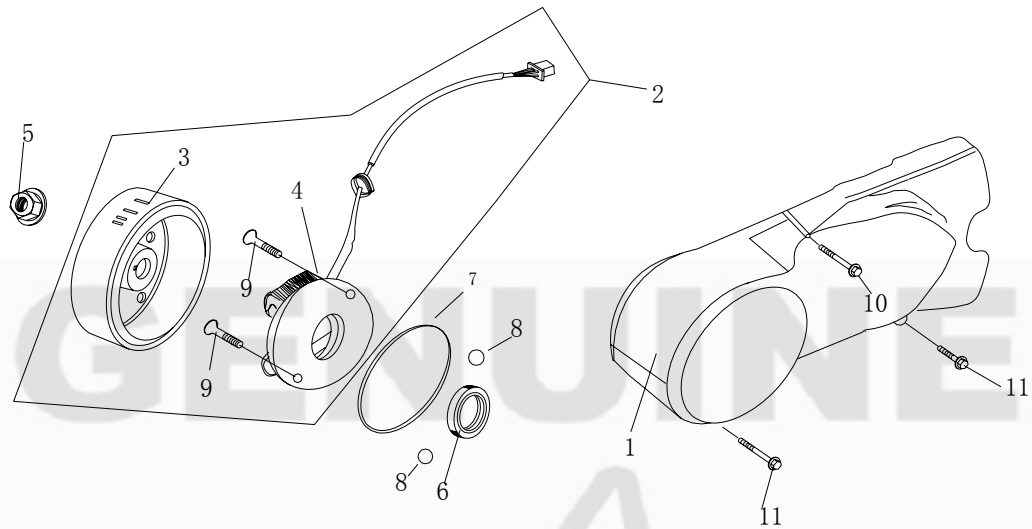
DIA. N	PART NO.	DESCRIPTION	Q' TY
D07-01	15100-D000-000	Oil Pump Assy.	1
D07-02	15105-D000-000	Driven Gear , Oil Pump	1
D07-03	15103-D000-000	Stator, Oil Pump Inner	1
D07-04	15104-D000-000	Stator, Oil Pump Outer	1
D07-05	15160-ABCD-000	Screen, Oil Filter	1
D07-06	15109-D000-000	Circlip ϕ 10	1
D07-07	GB/5783-05010-L	Bolt, Hex-Head M5*10	2
D07-08	GB/5787-06035-L	Bolt, Hex-Flange M6*35	1
D07-09	GB/5787-06040-L	Bolt, Hex-Flange M6*40	2
D07-10	GB/119-02010-000	Pin ϕ 2.5*10	1
D07-11	GB/119-03016-000	Pin ϕ 3*16	1
D07-12	15102-D000-000	Cover, Oil Pump	1
D07-13	15107-D000-000	Drive Shaft, Oil Pump ϕ 7*30.5	1
D07-14	90411-08014-000	Pin, Dowel 92401-08014	1
D07-15	15101-D000-000	Body, Oil Pump	1

D08- CRANKSHAFT/PISTON 曲轴、活塞



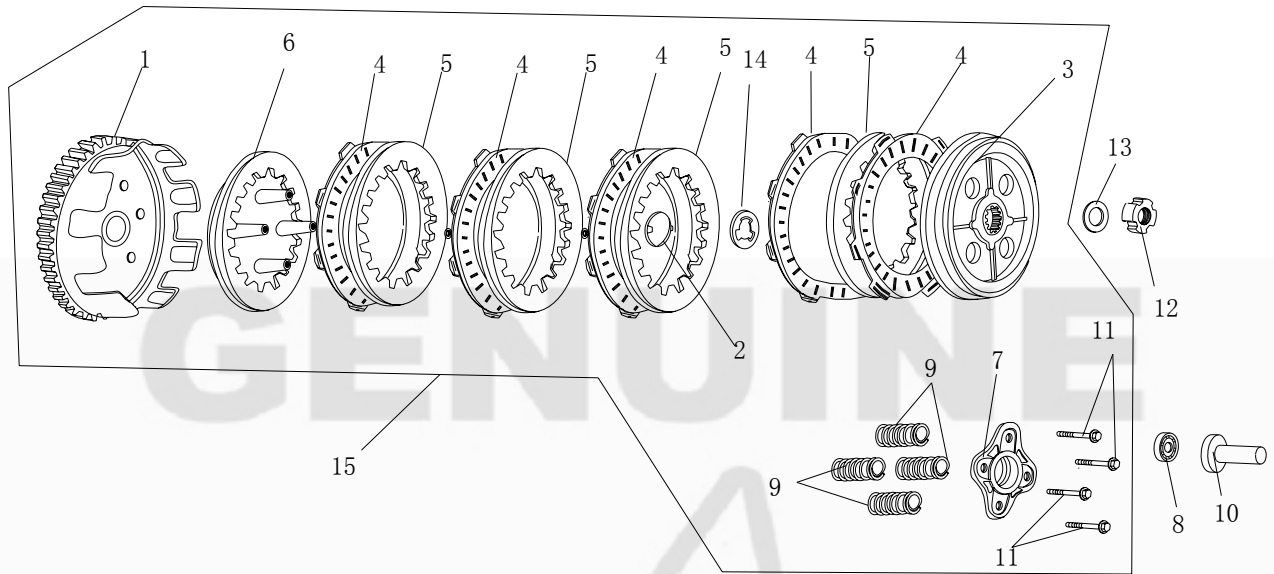
DIA. N	PART NO.	DESCRIPTION	Q' TY
D08-01	13000-D000-000	Crankshaft Assy.	1
D08-02	13111-D000-000	Ring Set, Piston	1
D08-03	13101-D000-000	Piston	1
D08-04	13102-D000-000	Pin, Piston ϕ 13*38.5	1
D08-05	13112-ABCD-000	Clip, Piston Pin	2
D08-06	13216-D000-000	Rod, Connecting	1
D08-07	1322B-D000-000	Crankshaft R.	1
D08-08	13211-D000-000	Crankshaft L.	1
D08-09	13215-D000-000	Pin, Crankshaft	1
D08-10	14201-CD00-000	Sprocket Wheel, Timing 16T	1
D08-11	20301-D000-000	Key, Woodruff	1
D08-12	GB/T276-94-6304	Bearing 6304	2
D08-13	13214-D000-000	Needle Bearing	1
D08-14	15108-D000-000	Drive Sprocket, Oil Pump 17T	1
D08-15	22101-D000-000	Sprocket, Primary Wheel 18T	1

D09- LEFT CRANKCASE COVER/GENERATOR 左曲轴箱盖、磁电机



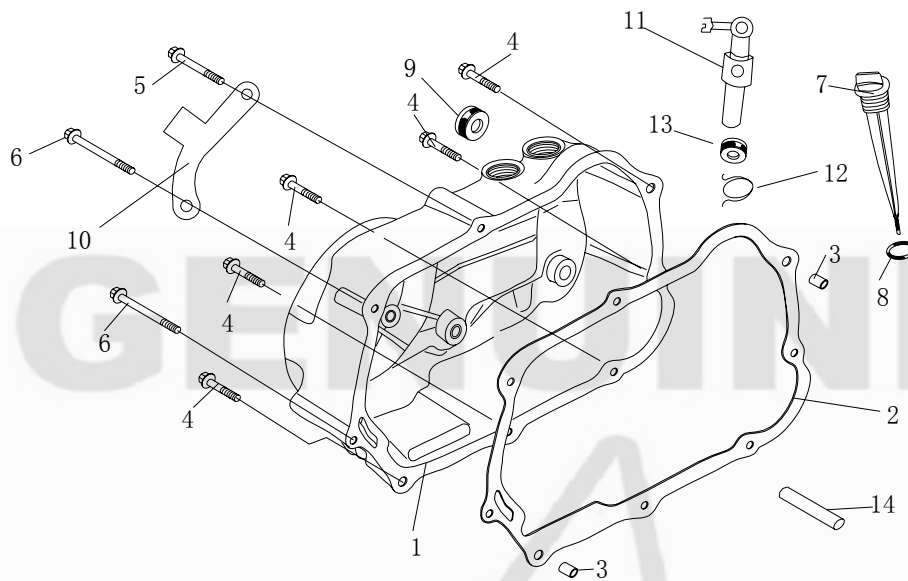
DIA. N	PART NO.	DESCRIPTION	Q' TY
D09-01	11401-D000-000	Crankcase Cover, L.	1
D09-02	31100-D000-000	Generator Assy.	1
D09-03	31110-D000-000	Flywheel Comp.	1
D09-04	31120-D000-000	Stator Comp, Generator	1
D09-05	GB/T41-M10-C	Nut, Hex- Head M10*1.25	1
D09-06	30104-D000-000	Oil Seal 18.9*30*5	1
D09-07	30103-D000-000	O Ring ϕ 107* ϕ 2	1
D09-08	20469-D000-000	O Ring ϕ 7* ϕ 1.5	2
D09-09	GB/819-06014-L	Bolt, Cross M6*14	2
D09-10	GB/5787-06030-L	Bolt, Hex-Flange M6*30	1
D09-11	GB/5787-06035-L	Bolt, Hex- Flange M6*35	2

D10- CLUTCH 离合器



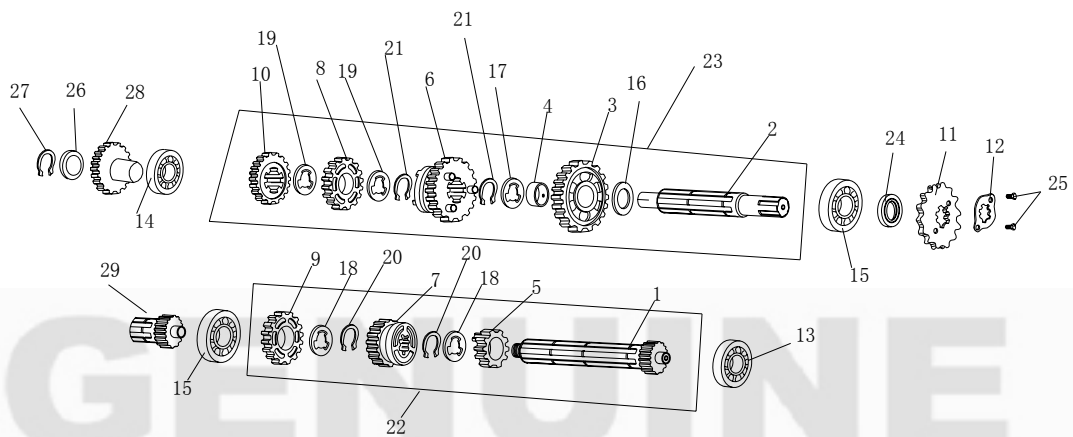
DIA. N	PART NO.	DESCRIPTION	Q' TY
D10-01	2130A-D000-000	Outer Cover, Clutch	1
D10-02	21146-005-000	Lock, Washer	1
D10-03	2101A-D000-000	Center, Clutch	1
D10-04	2120A-D000-000	Friction Plate, Clutch	5
D10-05	21002-D000-000	Drive Plate, Clutch	4
D10-06	21004-D000-000	Driving Plate	1
D10-07	21402-D000-000	Head Cover, Clutch	1
D10-08	GB/T276-94-6000	Bearing 6000	1
D10-09	21401-D000-000	Spring, Clutch	4
D10-10	21403-D000-000	Push Rod, Clutch	1
D10-11	GB/5787-06025-L	Bolt, Hex-Flange M6*25	4
D10-12	90202-D000-000	Nut, Lock A M14*1	1
D10-13	90315-ABCD-000	Washer ϕ	1
D10-14	21148-005-000	Lock, Washer	1
D10-15	21000-D000-000	Clutch Assy.	1

D11- RIGHT CRANKCASE COVER 右曲轴箱盖



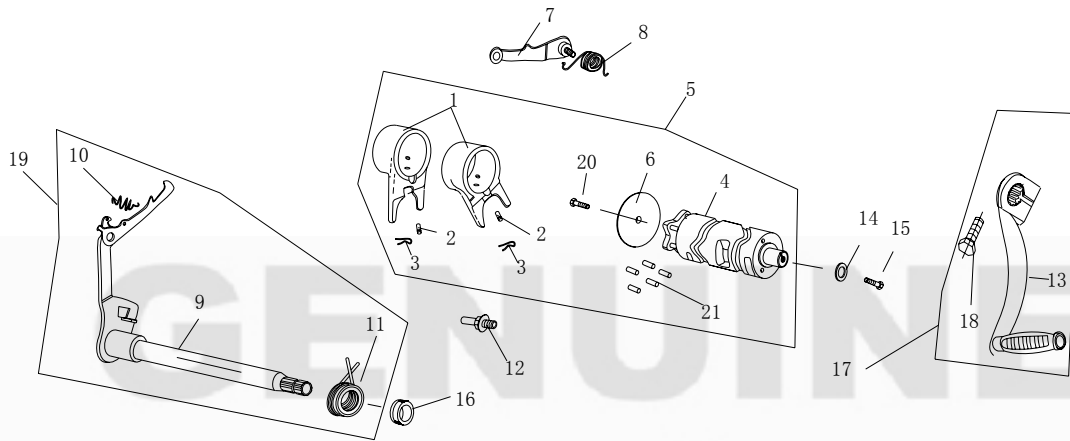
DIA. N	PART NO.	DESCRIPTION	Q' TY
D11-01	11333-D000-000	Crankcase Cover, R.	1
D11-02	11019-D000-000	Gasket, R. Crankcase Cover	1
D11-03	90411-08012-000	Pin, Dowel 92401-08012	2
D11-04	GB/5787-06040-L	Bolt, Hex-Flange M6*40	5
D11-05	GB/5787-06050-L	Bolt, Hex-Flange M6*50	1
D11-06	GB/5787-06090-L	Bolt, Hex-Flange M6*90	2
D11-07	11302-D000-000	Gauge, Oil Level	1
D11-08	90701-18003-000	O Ring ϕ	1
D11-09	90801-13024-005	Oil Seal, Start Axle 13.8*24*5	1
D11-10	11319-D000-000	Spreader Plate, Clutch	1
D11-11	1134A-D000-000	Camshaft Assy., Clutch	1
D11-12	11304-D000-000	Return Spring, Clutch Camshaft	1
D11-13	91104-D000-000	Oil Seal 12*18*5	1
D11-14	90411-06017-000	Oil Tube ϕ	1

D12- TRANSMISSION 传动机构



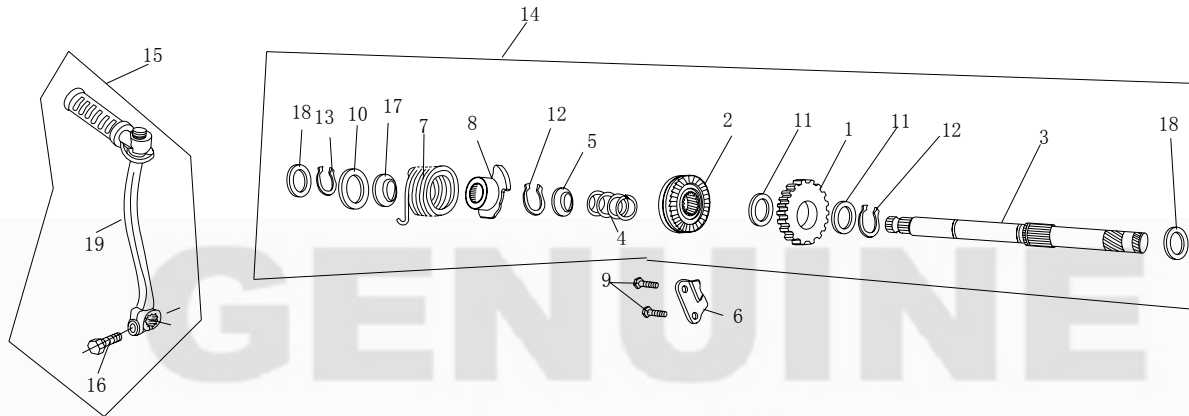
DIA. N	PART NO.	DESCRIPTION	Q' TY
D12-01	23501-D000-000	Mainshaft, Transmission	1
D12-02	23601-D000-000	Countershaft, Transmission	1
D12-03	23611-ABCD-000	Gear, Countershaft 1st 36T	1
D12-04	23614-ABCD-000	Gear Sheath	1
D12-05	23509-ABCD-000	Gear, Mainshaft 2nd 16T	1
D12-06	23603-ABCD-000	Gear, Countershaft 2nd 31T	1
D12-07	23504-ABCD-000	Gear, Mainshaft 3rd 17T	1
D12-08	23608-ABCD-000	Gear, Countershaft 3rd 23T	1
D12-09	23505-ABCD-000	Gear, Mainshaft 4th 20T	1
D12-10	23605-ABCD-000	Gear, Countershaft 4th 21T	1
D12-11	41205-ABCD-000	Sprocket Wheel, Drive 17T	1
D12-12	23681-ABCD-000	Plate, Drive Sprocket	1
D12-13	GB/T276-94-6001	Bearing 6001	1
D12-14	GB/T276-94-6201	Bearing 6201	1
D12-15	GB/T276-94-6203	Bearing 6203	2
D12-16	23609-ABCD-000	Washer, Thrust ϕ 12	1
D12-17	23606-ABCD-001	Washer 1, Lock ϕ 23	1
D12-18	23507-ABCD-000	Washer, Lock ϕ 20.8	1
D12-19	23606-ABCD-002	Washer 2, Lock ϕ 20.8	2
D12-20	23506-ABCD-000	Circlip ϕ 15.5	2
D12-21	23610-ABCD-000	Circlip ϕ 15.5	2
D12-22	22201-D000-000	Mainshaft, Assy.	1
D12-23	22202-D000-000	Countershaft, Assy.	1
D12-24	90801-1729-005	Oil Seal, Countershaft 17*29*5	1
D12-25	GB/5783-06008-L	Bolt, Hex-Head M6*8	2
D12-26	22302-D000-000	Washer, Thrust ϕ 12	1
D12-27	15111-D000-000	Circlip ϕ 13.6	1
D12-28	22301-D000-000	Gear, Kick Start Driven 25T	1
D12-29	22303-D000-000	Gear, Mainshaft Clutch 14T	1

D13- GEARSHIFT MECHANISM 变速机构、变速鼓



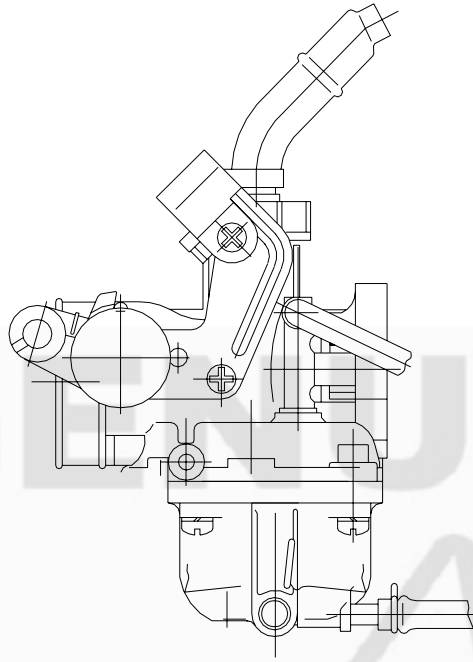
DIA. N	PART NO.	DESCRIPTION	Q' TY
D13-01	23740-ABCD-000	Fork, Gearshift	2
D13-02	23742-ABCD-000	Pin, Gearshift Fork Guide	2
D13-03	23748-ABCD-000	Clip, Gearshift Fork Guide Pin	2
D13-04	23701-ABCD-000	Drum, Gearshift	1
D13-05	23701-ABCD-00A	Drum, Gearshift Comp.	1
D13-06	23719-ABCD-000	Fixture Board	1
D13-07	23730-ABCD-000	Spindle Comp, Gearshift Drum	1
D13-08	23731-ABCD-000	Spring, Shift Drum Stopper	1
D13-09	23712-BCD0-000	Arm Comp., Gearshift	1
D13-10	23722-BCD0-000	Spring, Shaft Shift	1
D13-11	23716-BCD0-000	Spring, Shaft Shift Return	1
D13-12	23723-ABCD-000	Pivot, Shift Fixture	1
D13-13	FA000101	Gearshift Pole	1
D13-14	23718-ABCD-000	Washer ϕ	1
D13-15	GB/5783-06016-L	Bolt, Hex-Head M6*16	1
D13-16	90801-11024-010	Oil Seal, Shaft Shift 11.6*24*10	1
D13-17	FA000100	Gearshift Pole Assy.	1
D13-18	GB/5783-06020-L	Bolt, Hex-Head M6*20	1
D13-19	23700-BCD0-000	Shaft Shift Assy.	1
D13-20	GB/818-06016-B	Bolt, Cross M6*16	1
D13-21	23746-ABCD-000	Pin, Fixture Board ϕ	5

D14- KICK STARTING MECHANISM 启动轴



DIA. N	PART NO.	DESCRIPTION	Q' TY
D14-01	24102-D000-000	Gear, Kick Start Drive	1
D14-02	24105-D000-000	Ratchet Wheel, Starter	1
D14-03	24101-D000-000	Shaft, Kick Start	1
D14-04	20704-D000-000	Spring, Ratchet Wheel	1
D14-05	20710-D000-000	Seat, Ratchet Wheel Spring	1
D14-06	28164-ABCD-000	Guide Plate, Ratchet Wheel	1
D14-07	24108-D000-000	Return Spring, Kick Start Shaft	1
D14-08	20706-D000-000	Return Spring Seat, Kick Start Shaft	1
D14-09	GB/5783-06020-L	Bolt, Hex-Head M6*20	2
D14-10	20709-D000-000	Washer ϕ 17	1
D14-11	20712-D000-000	Washer ϕ 20	2
D14-12	20711-D000-000	Washer ϕ 20	2
D14-13	20708-D000-000	Washer ϕ 16	1
D14-14	24100-D000-000	Kick Axle Comp.	1
D14-15	FA000200	Kick Starter	1
D14-16	GB/5783-06020-L	Bolt, Hex-Head M6*20	1
D14-17	24111-D000-000	Cap, Spring	1
D14-18	24110-D000-000	Washer ϕ 14	2
D14-19	FA000201	Pole, Starter	1

D15- CARBURETOR 化油器



DIA. N	PART NO.	DESCRIPTION	Q' TY
D15-01	01U010000	Carburetor Assy.	1

